

INSTALLATION INSTRUCTIONS

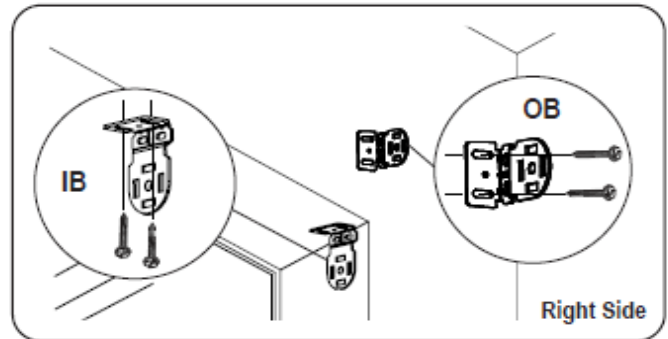
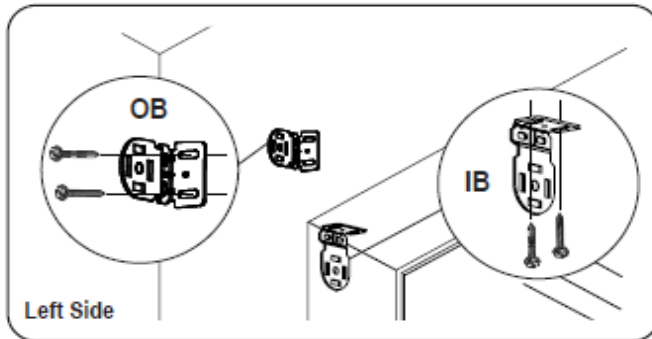
ROLLER SHADES

Open Roll Shades
Continuous Loop Control | Cordless | Automation

1. Install the Brackets

Important: Make sure the mounting surface is level. Brackets must be in line and level for shade to operate properly. Shim brackets if necessary.

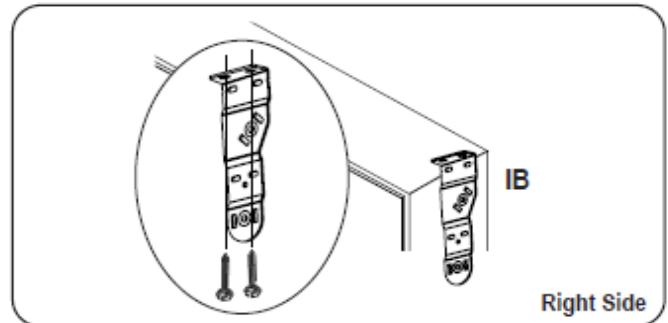
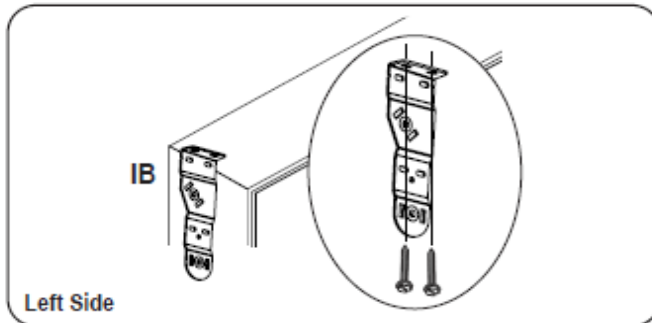
1a. Open Roll Tubes 1 1/2" to 2 1/2"



Inside Mount (IB), Install each bracket with two screws either through the side or up through the top. Make sure all brackets are leveled and aligned.

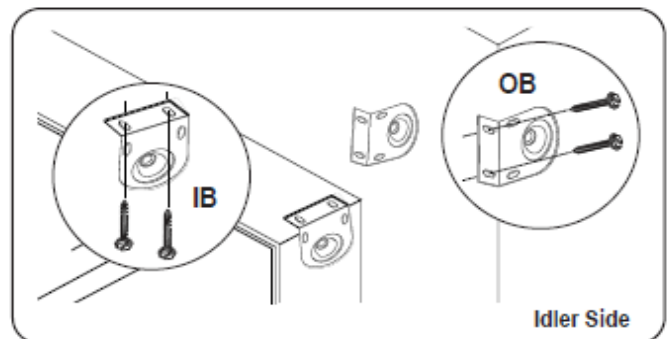
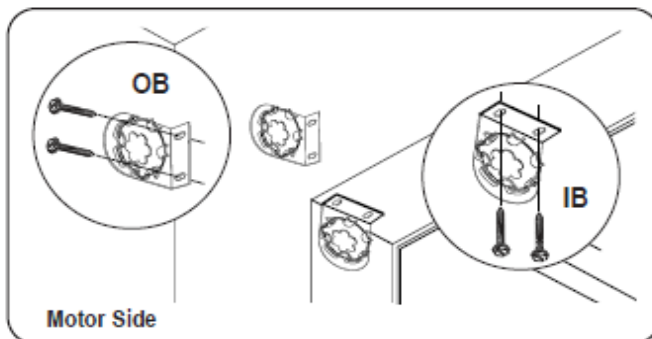
Outside Mount (OB), Secure each bracket with two screws through the side of the bracket. Make sure all brackets are level. Minimum 1 3/4" mounting surface height requirement.

1b. Double Brackets (Only 1 1/2" Tubes)



Inside Mount Only (IB), Install each bracket with two screws through the top. Make sure brackets are leveled and aligned. Minimum 1 3/4" mounting depth requirement. 2 1/8" to 4" flush mount depth requirement (depends on roll diameter).

1c. Open Roll Tubes 3 1/4" and Hardwired Motorization



Inside Mount (IB), Install the brackets level and aligned to each other. Use the screws provided to screw through the top. Minimum 3" mounting depth requirement. 2 1/8" to 4" flush mount depth requirement (depends on roll diameter).

Outside Mount (OB), Secure each bracket with two screws through the side. Make sure all brackets are level. Minimum 3" mounting surface height requirement.

INSTALLATION INSTRUCTIONS

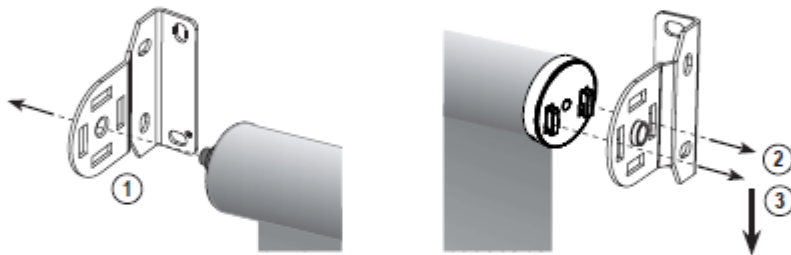
2. Install the Shade

2a. Continuous Loop Control



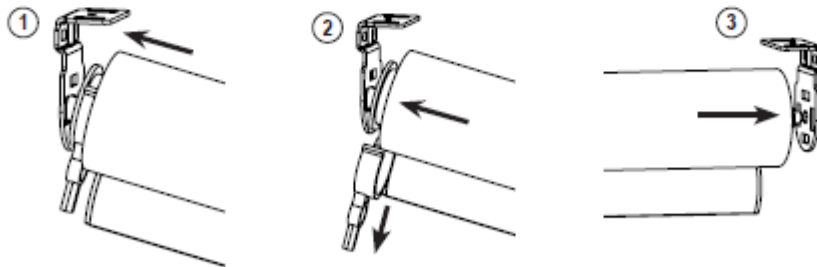
1. Place the spring loaded pin end into the round hole of the bracket. Then, keeping the pin end secure in its bracket, (2) Insert the hooks on the clutch straight into the two slots in the bracket. Once the two hooks are through the slots, (3) gently pull downward on the hook side until the hooks have locked securely onto the bracket. The bottom of the clutch with chain loop should point straight down.

2b. Motorization (Open Roll Tubes 1 1/2" to 2 1/2")



1. Place the spring loaded pin end into the round hole of the bracket. Then, keeping the pin end secure in its bracket, (2) insert the hooks on the motor head straight into the two slots in the bracket. Once the two hooks are through the slots, (3) gently pull downward on the motor until the hooks have locked securely to the bracket. The reset button of the motor should be facing down.

2c. Cordless Lift



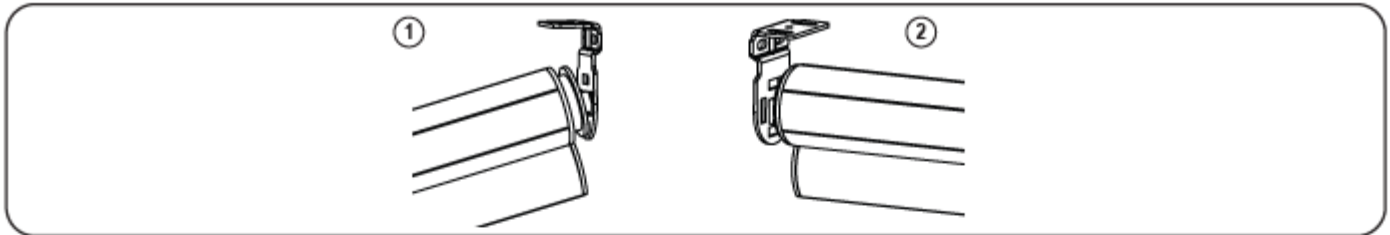
Important: Do not to pull the red lock until shade is securely assembled onto the brackets.

1. Angle the shade side with the red lock to align the hooks to the open roll bracket. Keep the red lock installed onto the shade.
2. Once the hooks are inserted into the bracket, pull the red lock off and push the shade into the bracket to securely lock the shade.
3. With one side of the shade locked in, insert the spring loaded pin on the other end of the shade into the round hole onto the other bracket.

Note: If for any reason the installation brackets need to be adjusted or the shade needs to be removed, raise the shade and insert the red lock pin back to its original motor side prior to disengaging the shade from the installation brackets.

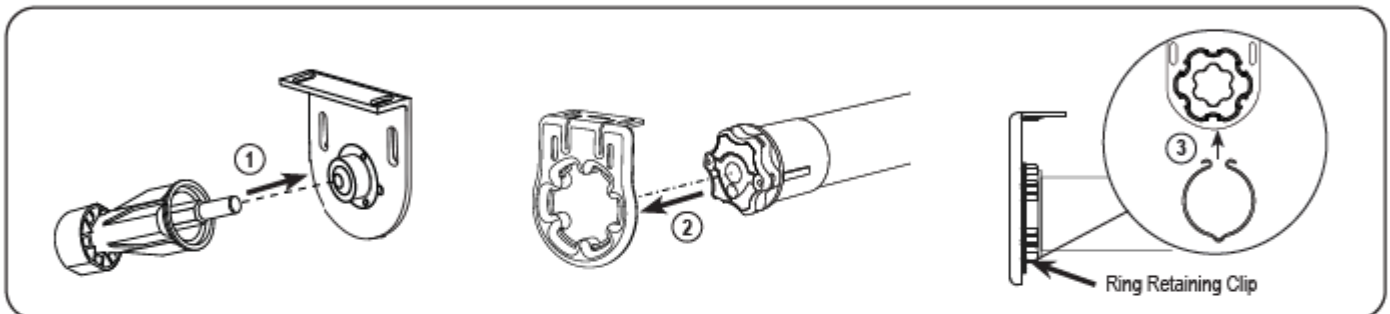
INSTALLATION INSTRUCTIONS

2d. TouchLift™



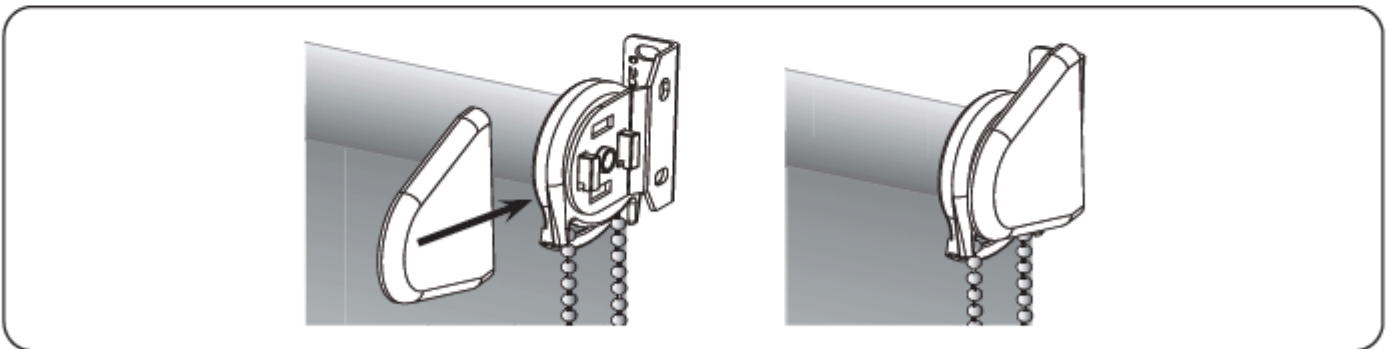
1. Place the idler pin end into the two vertical slots on the bracket. Keeping the idler pin end secure in its bracket, (2) insert the hooks on the spring head straight into the two slots in the other bracket. Once the two hooks are through the slots, gently pull downward until the hooks have locked securely to the bracket.

2e. Open Roll Tubes 3 1/4" and Hardwired Motorization

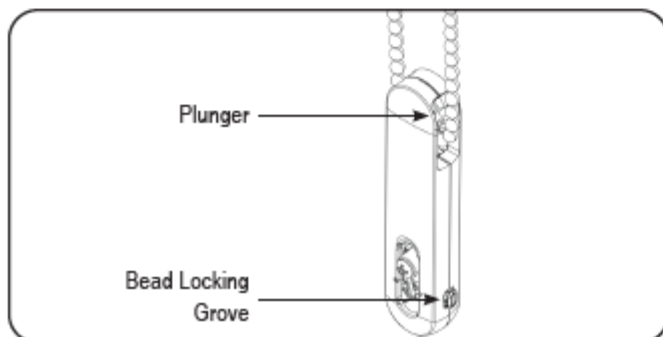


First, rotate the roll to ensure reset button of the motor is facing down. (1) Place the spring loaded pin end into the round hole of the Idler bracket. Keeping the pin end secure in its bracket, (2) align and insert the motor head into the slots in the motor bracket. Once the motor is complete security into the motor bracket, (3) snap the ring retaining clip in place, locking the motor in position.

3. Install the End Caps (Open Roll Tubes 1 1/2" to 2 1/2")



4. Attaching the Beaded Cord Tensioner



NOTE: For the shade to operate properly, the tensioner must be correctly mounted and secured.

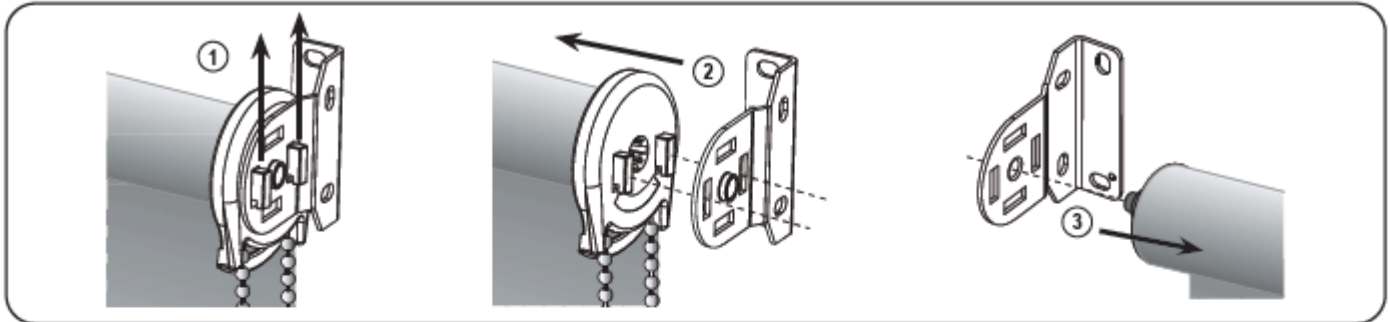
[Click this link](#) to refer to the Installation Instructions for the Bead Chain Loop, Universal Cord Tensioner

INSTALLATION INSTRUCTIONS

5. Adding Optional Top Treatment to Open Roll

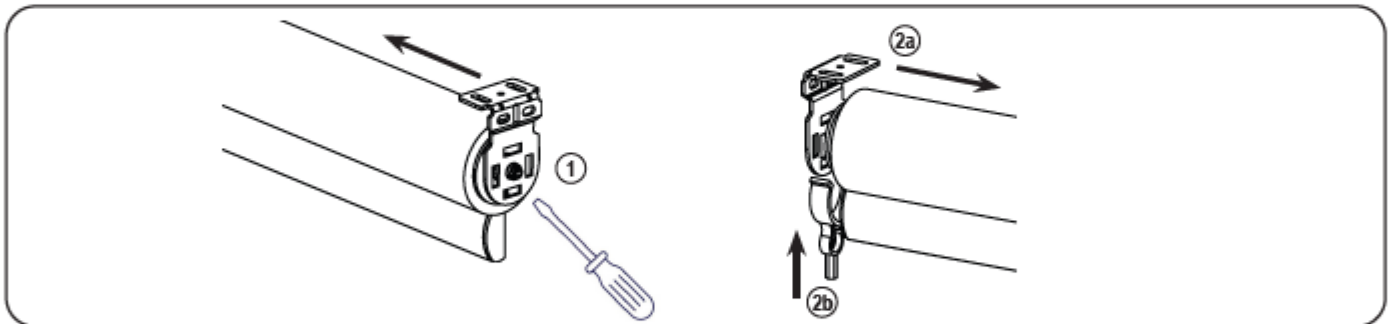
Please refer to *Roller Shades - Skyline Fabric Cornice installation instructions*.

6. Removing the Shade (Only if Necessary — Tubes 1 1/2" to 2 1/2", Continuous Loop Control, Automation and TouchLift™)



First, raise the shade. (1) To disengage, gently lift up the control side (hook end) until the hooks touch the top part of the bracket slot. Then, (2) slide the roll towards the idler pin end (Spring Idler end for TouchLift™ shades) until the hooks are completely out of the bracket slots. (3) Remove the spring loaded pin end from the Idler bracket.

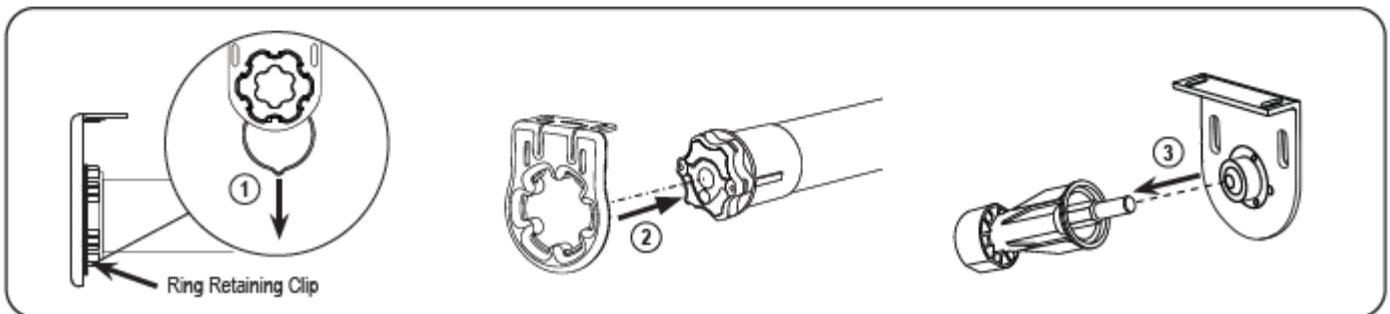
7. Removing the Shade (Only if Necessary - Cordless Lift)



Prepare the shade removal with a screw driver or any pointed tool along with the red lock.

1. Use the screw driver or pointed tool to push the pin end to disengage that one side of the shade from the bracket.
- 2a. With the hook side still attached to the bracket, slowly pull the shade toward you only until there's enough room on the hook side to (2b) insert the red lock back onto the shade (same lock location of how the shade arrived). Please do not release the hooks until the red lock is engaged.
3. The shade can be removed from the bracket only when the spring side is locked with the red lock

8. Removing the Shade (Only if Necessary — Open Roll Tubes 3 1/4" and Hardwired Motorization)



First, raise the shade. (1) Remove the ring retaining clip in place from the motor. (2) Slide the roll towards the spring loaded pin end until the motor head is completely out of the motor head slots. (3) Remove the spring loaded pin end from the Idler bracket.

ADJUSTMENT TIPS

Tension Adjustment For Cordless Lift

Inside Mount IB: Follow Step 7 to remove the shade from the installation bracket before adjusting the tension

Outside Mount OB: Do not need to remove the shade from the installation bracket, follow the steps below to adjust the tension.

- 1) Use hex key or 5mm Allen wrench to turn the spring head (left side for standard roll and right side for reverse roll)**:
 - Turn clockwise to add/increase tension
 - Turn counterclockwise to decrease/reduce tension.

** Red lock that comes with open roll shade can also be use in lieu of the hex key/Allen wrench

- 2) Re-install the shade (and end cap if OB) after tension adjustment is complete.

Tension Adjustment For TouchLift™

Inside Mount IB: Follow instruction on Step 6 to remove the shade from the installation bracket before adjusting the tension.

Outside Mount OB: Do not need to remove the shade from the installation bracket, follow the steps below to adjust the tension

- 1) Use 5mm Allen wrench to turn the spring head (left side for standard roll and right side for reverse roll):
 - Turn clockwise to add/increase tension.
 - Turn counterclockwise to decrease/reduce tension.
- 2) After the additional turns for tension adjustment have been completed and with the Allen wrench still inserted inside the spring head, push the Allen wrench in to activate the inner break lock before removing the Allen wrench.
- 3) Reinstall the shade (and end cap if OB) after tension adjustment is complete.

Upper Limit Adjustment For TouchLift™

Inside Mount IB: Follow instruction on Step 6 to remove the shade from the installation bracket.

Outside Mount OB: Do not need to remove the shade from the installation bracket, follow the steps below to adjust the upper limit.

- 1) Use 5mm Allen wrench to turn the idle end (right side for standard roll and left side for reverse roll):
 - Turn clockwise to lower the upper limit.
 - Turn counterclockwise to raise the upper limit.
- 2) Reinstall the shade (and end cap if OB) after adjustment is complete.

Child Safety

Young children can STRANGLE in cord loops and in the loop above the cord stop. They can also wrap cords around their necks and STRANGLE.

- Always keep cords out of children's reach.
- Move cribs, playpens and other furniture away from cords. Children can climb furniture to get to cords.
- Do not tie cords together.
- Make sure cords do not twist together and create a loop.

WARNING ADVERTENCIA	
Window Blind Cord Strangulation Risk Window Blinds with a damaged or loose tension device or retractable cord that fails to fully retract pose a strangulation risk to children. To avoid this potential strangulation risk, consider purchasing cordless products or products with inaccessible cords.	
Riesgo de Estrangulamiento en Cuerdas de Persianas Las persianas con un dispositivo tensor suelto o dañado o con una cuerda retractable que no se ajusta completamente representan un riesgo de estrangulación para los niños. Para evitar un posible riesgo de estrangulamiento, considere comprar productos inalámbricos o productos con cuerdas inaccessibles.	

INSTALLATION INSTRUCTIONS

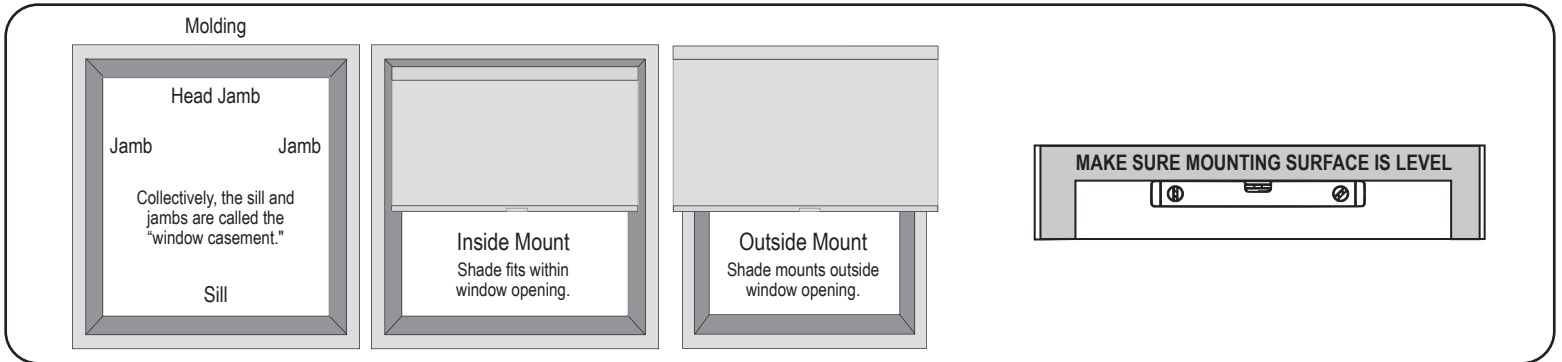
ROLLER SHADES

Cordless Lift

Open Roll with Mounting Bar

IMPORTANT: If the installation brackets are mounted correctly, the rest of the installation process will follow easily. To prepare for this important first step, review the mounting types and basic window terminology illustrated below. Prior to mounting the brackets, add any clearance depth required to avoid obstructions such as window cranks or handles.

Mounting Types



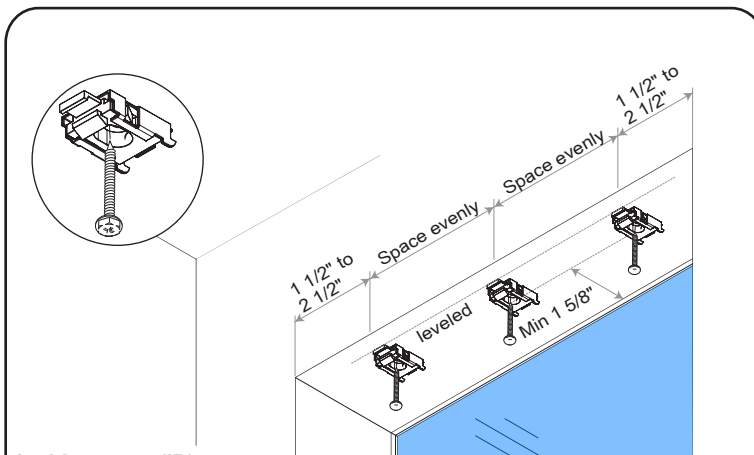
Make sure mounting surface is level. Brackets must be in line and level. Shim brackets if necessary. The head rail must be level for the shade to operate properly. **CAUTION:** Keep the "Do Not Remove Until Installation" paper wrap in place until the shade is completely installed.

Mounting the Brackets

Standard installation brackets may be used for INSIDE or OUTSIDE mounts on flat surfaces (do not mount on curved surfaces). The number of installation brackets required varies with the width of the shade. See the chart below.

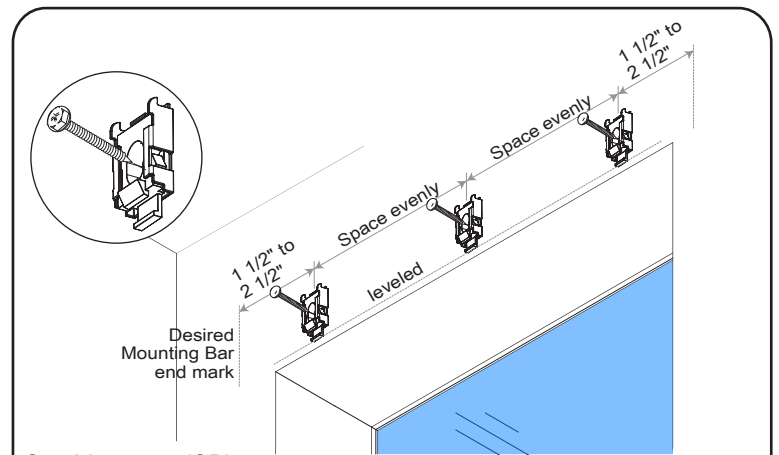
Installation Bracket

Installation Bracket Requirement Chart:	
Shade Width	Brackets Required
Up to 36"	2
36 1/8" to 48"	3
48 1/8" to 60"	4
60 1/8" to 72"	5
72 1/8" to 90"	6
90 1/8" to 108"	7



Inside mount (IB)

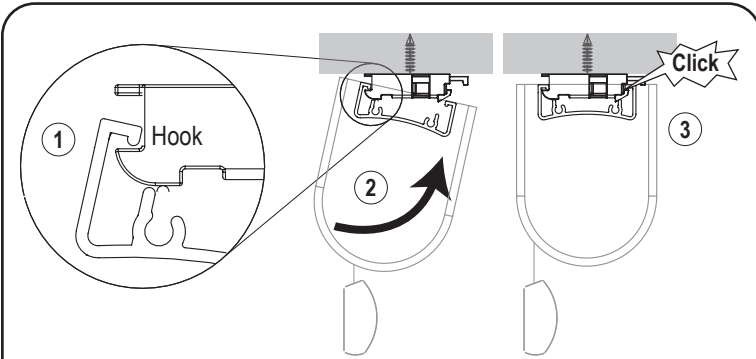
- **IMPORTANT:** To ensure each bracket is mounted properly, the clear tab on the installation bracket must be facing toward the inside of the room.
- Mark 1 1/2" to 2 1/2" from both Head Jamb ends to determine the end bracket location.
- If more than two installation brackets come with your order, space additional bracket(s) evenly between the two end brackets and mark their location.
- Install the brackets with the screw through the top of the head jamb. Mount into a wood surface whenever possible.



Outside mount (OB)

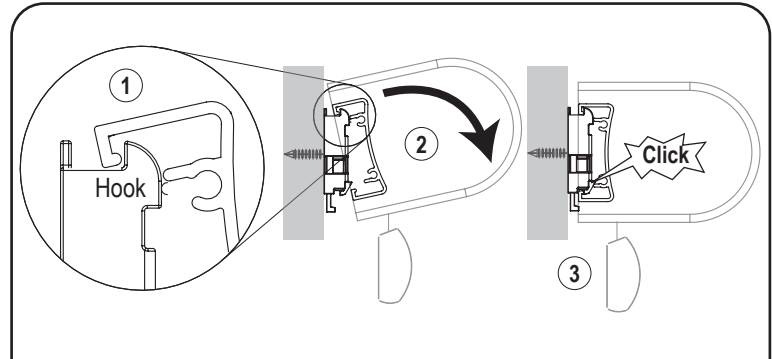
- **IMPORTANT:** To ensure each bracket is mounted properly, the clear tab should be pointed toward the floor.
- Center the mounting profile over the window opening at the desired height. Use a pencil to lightly mark each end of the mounting profile.
- Alternatively, measure the width of the mounting profile and use that width to mark the mounting profile end points over the window opening.
- Install the brackets with the screw through the side above the molding. Mount into a wood surface whenever possible.

Install the Mounting Bar



Inside mount (IB)

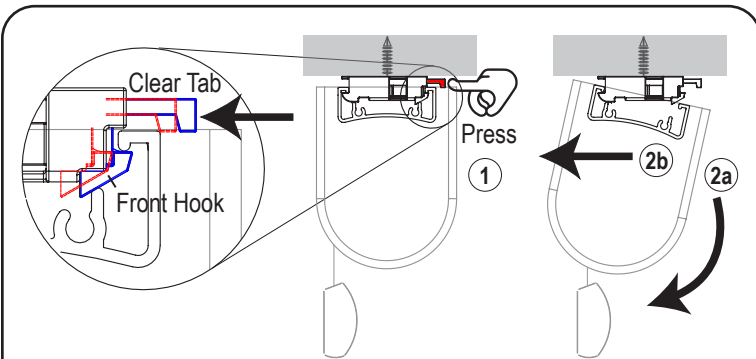
1. Hook the back groove of the mounting profile onto the hook of the installation brackets located in the back of the bracket.
2. Rotate the mounting profile toward the front clear tabs of the installation brackets.
3. Push the bar until the tabs lock into place. You will hear a click when each bracket is secured in place.



Outside mount (OB)

1. Hook the top groove of the mounting profile onto the hook of the installation bracket located on the top of the bracket.
2. Rotate the mounting profile downward toward the clear tabs of the installation brackets.
3. Push the bar until the tabs lock into place. You will hear a click when each bracket is secured in place.

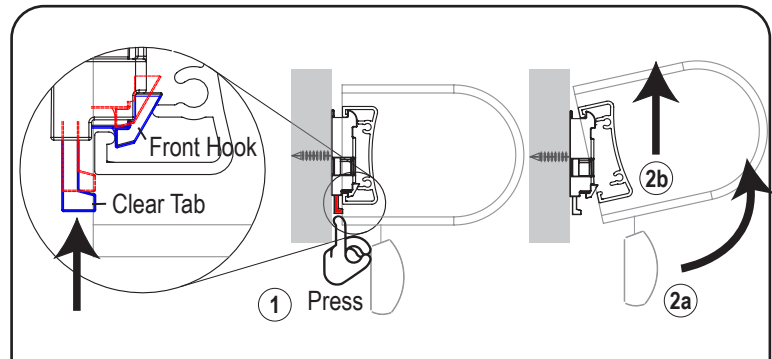
Removing the Shade



Inside mount (IB)

To detach the shade from the mounting brackets:

1. Press the clear tab on each bracket to release the front hook.
- 2a. Rotate the front edge of the mounting bar downward.
- 2b. Then push it slightly backward to release the rear of the profile from the back hook of each bracket.



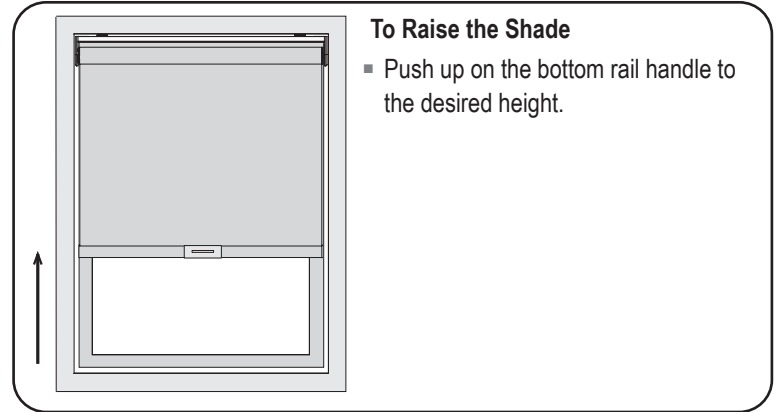
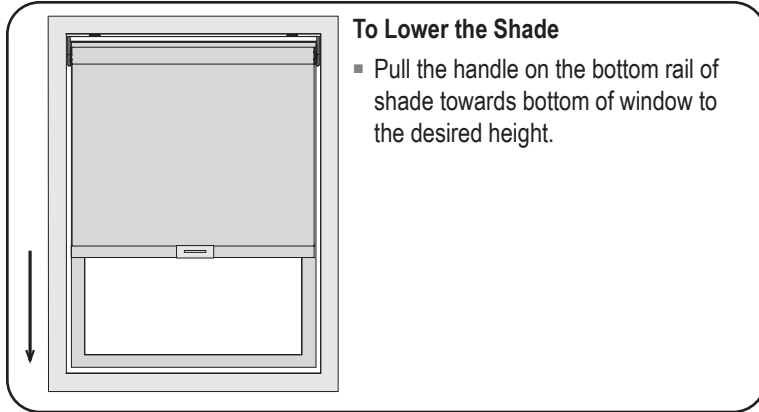
Outside mount (OB)

To detach the shade from the mounting brackets:

1. Press the clear tab on each bracket to release the bottom hook.
- 2a. Rotate the bottom edge of the mounting bar upward.
- 2b. Then lift it slightly upward to release the top of the profile from the back hook of each bracket.

Operate the Shade

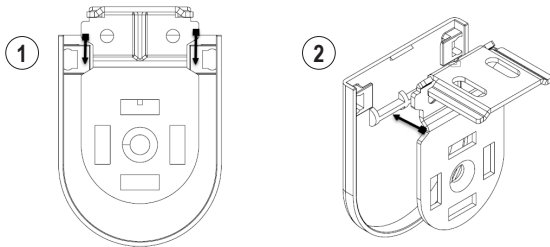
For better support and smoother operation, use the handle(s) when raising and lowering the shade.



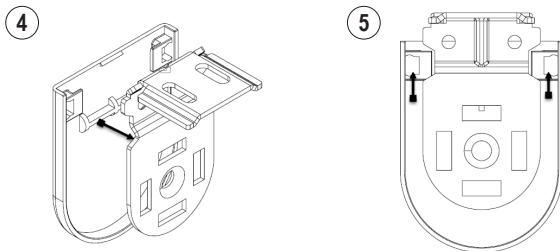
Tension Adjustment

Follow shade removal instructions noted above to remove the shade from the installation bracket.

1. Remove the bracket cover by pulling the cover down.
2. Pull the cover outward to remove.



3. Use 5mm Allen Wrench to turn the spring head (left side for standard roll and right side for reverse roll).
 - Turn clockwise to add/increase tension.
 - Turn counterclockwise to decrease/reduce tension.
4. After adjustments are completed, reattach the cover onto the bracket. See image #4.
5. Push the cover up onto the bracket until it snaps securely. See image #5.



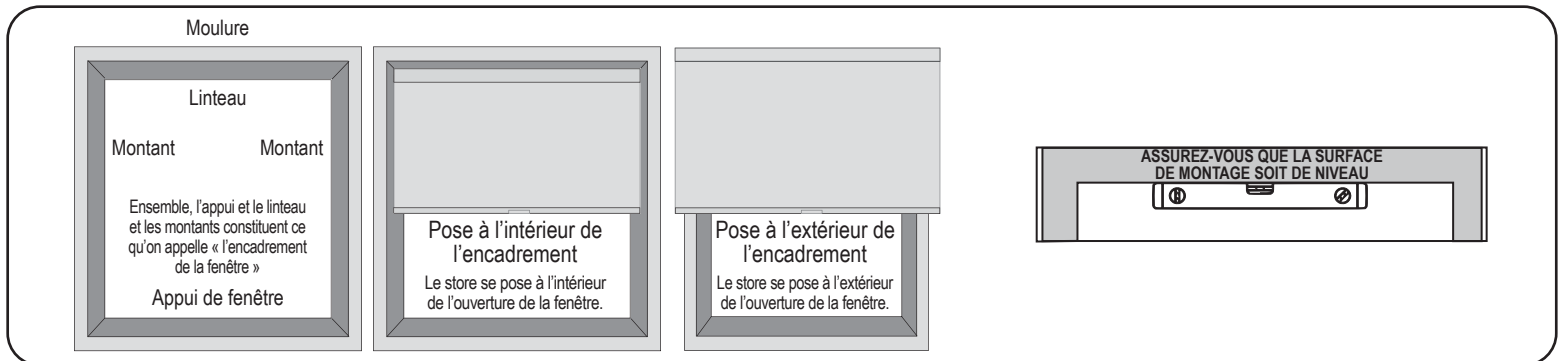
6. Reinstall the shade onto the installation brackets.



1049917

IMPORTANT : Si les supports d'installation sont posés convenablement, la suite du processus d'installation sera aisée. Pour vous préparer à cette première étape importante, passez en revue les genres de pose et la terminologie de base d'huissierie illustrés ci-dessous. Avant de poser les supports, ajoutez la profondeur de dégagement nécessaire pour éviter les obstructions, par exemple des manivelles ou poignées de fenêtre.

Genres de pose



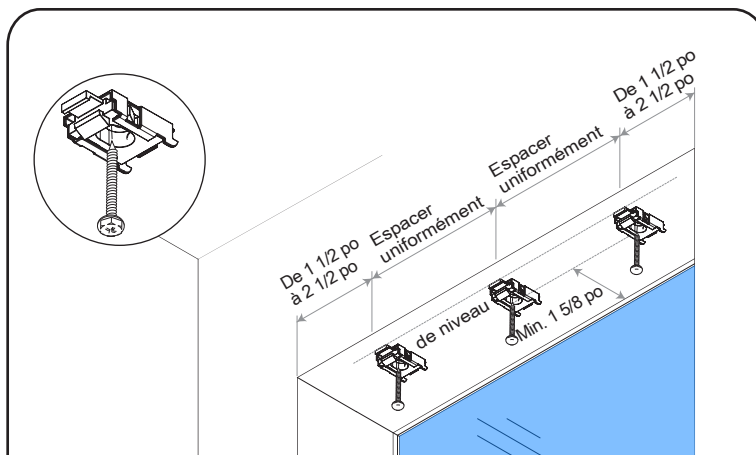
Assurez-vous que la surface de montage soit de niveau. Les supports doivent être alignés et de niveau. Calez les supports au besoin. Le boîtier supérieur doit être de niveau pour que le store fonctionne correctement.

ATTENTION : Gardez le papier d'emballage « Ne pas retirer avant l'installation » en place jusqu'à ce que le store soit complètement installé.

Pose des supports

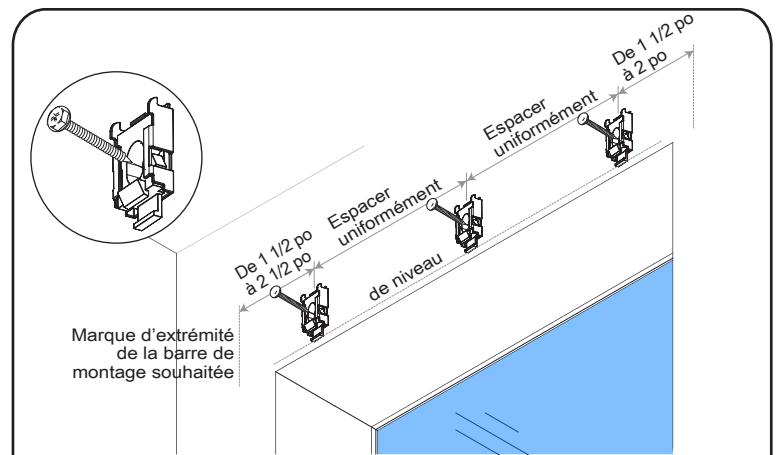
On peut utiliser des supports d'installation standard pour une pose À L'INTÉRIEUR ou À L'EXTÉRIEUR de l'encadrement sur des surfaces planes (ne pas effectuer la pose sur une surface courbe). Le nombre de supports d'installation requis varie en fonction de la largeur du store. Consultez le tableau ci-dessous.

Support d'installation	Tableau des exigences concernant les supports d'installation :	
	Largeur du store	Supports requis
<p>Languette Vis à tête hexagonale n° 6 x 1 1/2 po</p>	Jusqu'à 36 po	2
	De 36 1/8 po à 48 po	3
	De 48 1/8 po à 60 po	4
	De 60 1/8 po à 72 po	5
	De 72 1/8 po à 90 po	6
	De 90 1/8 po à 108 po	7



Pose à l'intérieur de l'encadrement (IB)

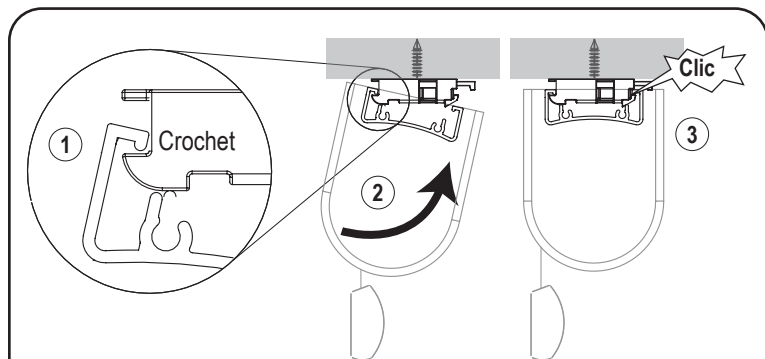
- **IMPORTANT :** Pour s'assurer du bon montage de chaque support, la languette transparente du support d'installation doit être orientée vers l'intérieur de la pièce.
- Faites une marque de 1 1/2"po à 2 1/2"po des deux extrémités du linteau pour déterminer l'emplacement du support de montage par les extrémités.
- Si votre commande comprend plus de deux supports d'installation, espacez le ou les supports supplémentaires de manière égale entre les deux supports d'extrémité et marquez leur emplacement.
- Installez les supports de façon que la vis traverse le dessus du linteau. Autant que possible, effectuez la pose sur une surface en bois.



Pose à l'extérieur de l'encadrement (OB)

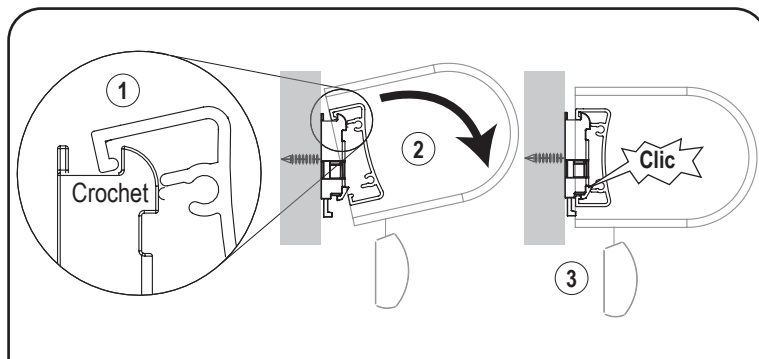
- **IMPORTANT :** Pour s'assurer que chaque support est bien installé, la languette transparente doit être tournée vers le plancher.
- Centrez le profilé d'installation sur l'ouverture de la fenêtre à la hauteur souhaitée. Utilisez un crayon pour marquer légèrement chaque extrémité de profilé d'installation.
- Vous pouvez également mesurer la largeur du profilé d'installation et utiliser cette largeur pour en marquer les points d'extrémité au-dessus de l'ouverture de la fenêtre.
- Installez les supports de façon que la vis traverse le côté au-dessus de la moulure. Autant que possible, effectuez la pose sur une surface en bois.

Installer la barre de montage



Pose à l'intérieur de l'encadrement (IB)

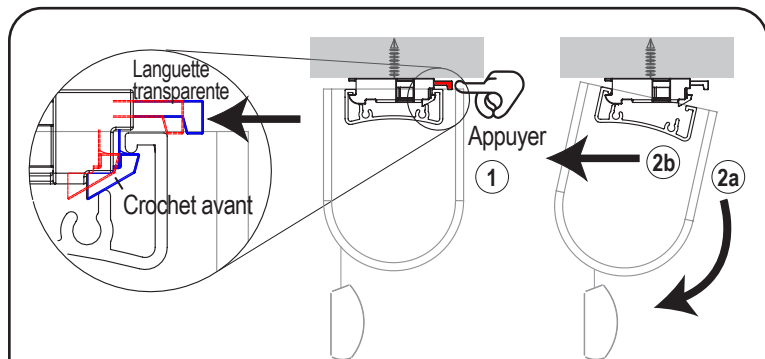
1. Placez la rainure arrière du profilé d'installation dans le crochet des supports de montage situé à l'arrière du support.
2. Faites tourner le profilé d'installation vers les languettes avant transparentes des supports d'installation.
3. Poussez la barre de jusqu'à ce que les languettes se verrouillent en place. Vous entendrez un clic quand chaque support est bien en place.



Pose à l'extérieur de l'encadrement (OB)

1. Placez la rainure supérieure du profilé d'installation dans le crochet du support de montage situé sur le dessus du support.
2. Faites tourner le profilé d'installation vers le bas en direction des languettes transparentes des supports d'installation.
3. Poussez la barre de jusqu'à ce que les languettes se verrouillent en place. Vous entendrez un clic quand chaque support est bien en place.

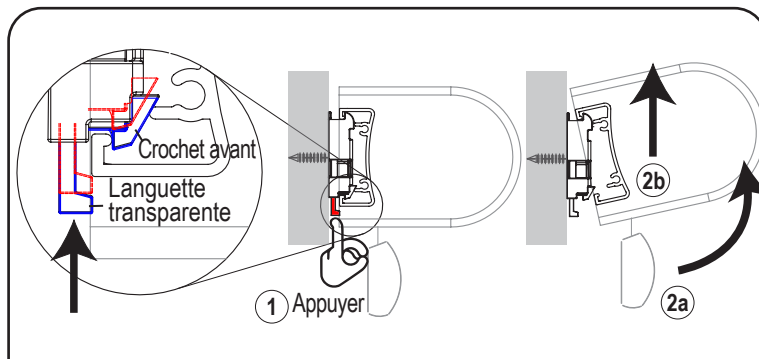
Retrait du store



Pose à l'intérieur de l'encadrement (IB)

Pour dégager le store des supports de montage :

1. Appuyez sur la languette transparente de chaque support pour dégager le crochet avant.
- 2a. Faites pivoter le bord avant de la barre de montage vers le bas.
- 2b. Puis poussez-la légèrement vers l'arrière pour dégager l'arrière du profilé du crochet arrière de chaque support.



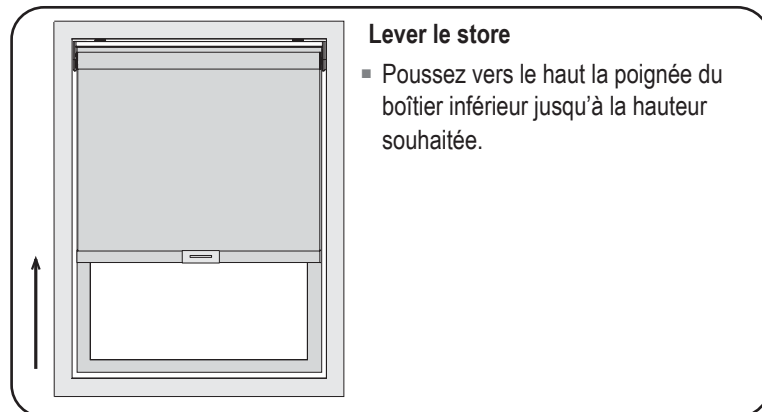
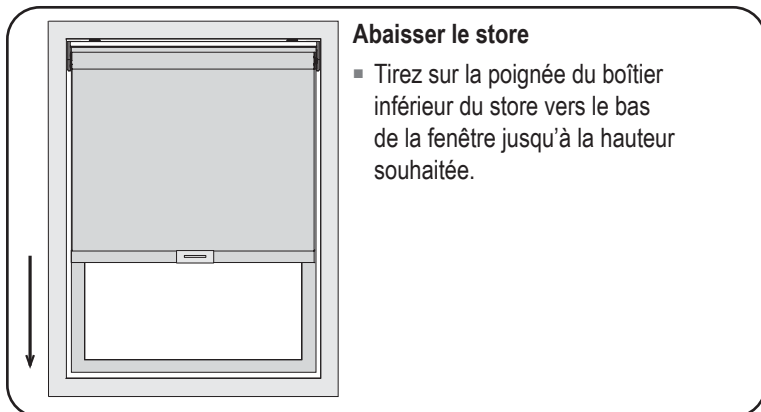
Pose à l'extérieur de l'encadrement (OB)

Pour détacher le store des supports de montage :

1. Appuyez sur la languette transparente de chaque support pour dégager le crochet inférieur.
- 2a. Faites pivoter le bord inférieur de la barre de montage vers le haut.
- 2b. Puis soulevez-la légèrement vers le haut pour dégager le sommet du profilé du crochet arrière de chaque support.

Faire fonctionner le store

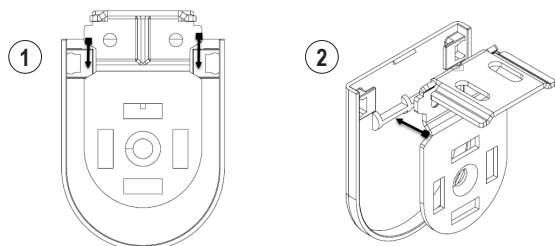
Pour un meilleur soutien et une utilisation plus fluide, utilisez la ou les poignées lors du levage et de l'abaissement du store.



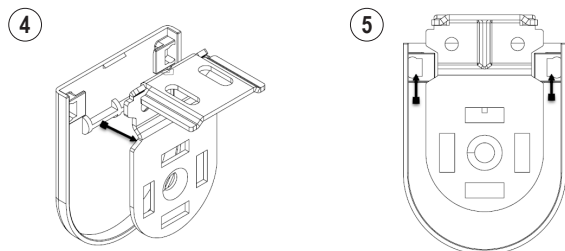
Réglage de la tension

Suivez les instructions de retrait du store pour retirer le store des supports d'installation.

1. Retirez le couvercle du support en le tirant vers le bas.
2. Tirez le couvercle vers l'extérieur pour le retirer.



3. À l'aide d'une clé Allen de 5 mm, tournez la tête du ressort (à gauche pour un rouleau standard, à droite pour un rouleau inversé).
 - Dans le sens des aiguilles d'une montre pour accroître/augmenter la tension.
 - Dans le sens inverse des aiguilles d'une montre pour baisser/réduire la tension.
4. Une fois les réglages effectués, replacez le couvercle sur le support. Voir l'image n° 4.
5. Poussez le couvercle vers le haut sur le support jusqu'à ce qu'il s'emboîte bien. Voir l'image n° 5.



6. Réinstallez le store sur les supports d'installation.

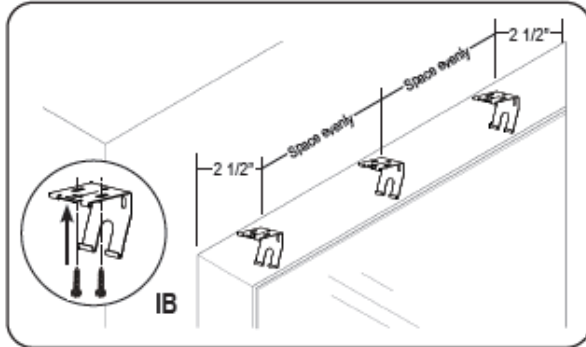


1049917

1. Install the Brackets

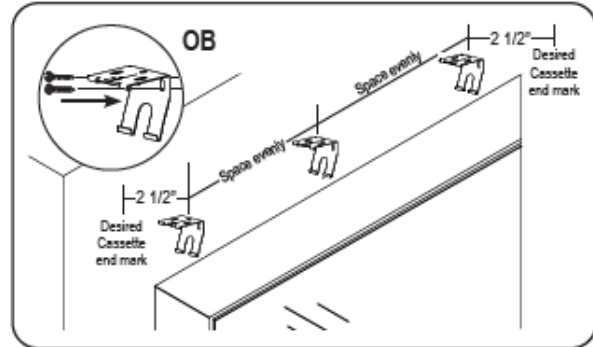
Medium and Large Cassette

Important: Make sure the mounting surface is level. Brackets must be in line and level for shade to operate properly.



Inside Mount IB:

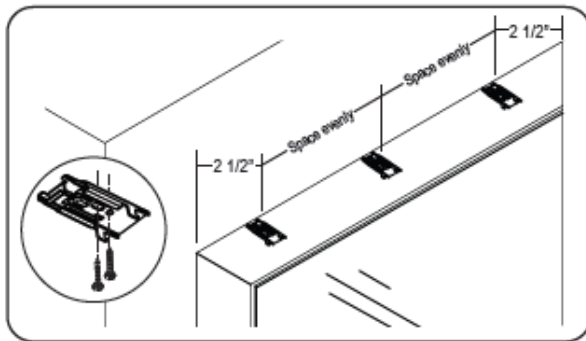
- Measure 2 1/2" inward from each side of the window frame.
- Using the screws provided, install the brackets leveled and aligned to each other.
- If applicable, evenly space out additional brackets between the brackets on both ends.
- See "IB" image above.



Outside Mount OB:

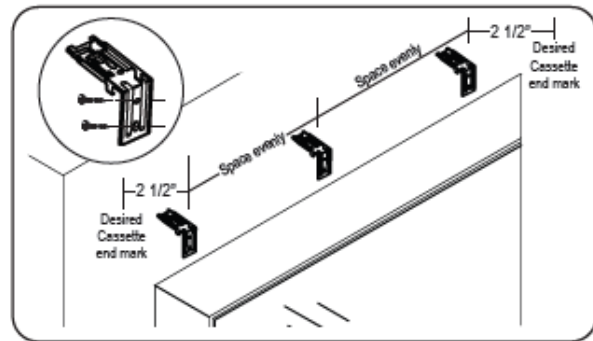
- Center the shade over the window opening at the desired height & width.
- Mark the location of the "Desired Cassette end mark" on both ends of the cassette.
- Measure 2 1/2" inward from the "Desired Cassette end marks" for the location of the brackets. If applicable, evenly space out the additional brackets between the brackets on both ends.
- Using the screws provided, install the brackets leveled and aligned to each other.
- See "OB" image above.

Square Cassette



Inside Mount IB:

- Measure 2 1/2" inward from each side of the window frame.
- Using the screws provided, install the brackets leveled and aligned to each other.
- If applicable, evenly space out additional brackets between the brackets on both ends.
- See "IB" image above.



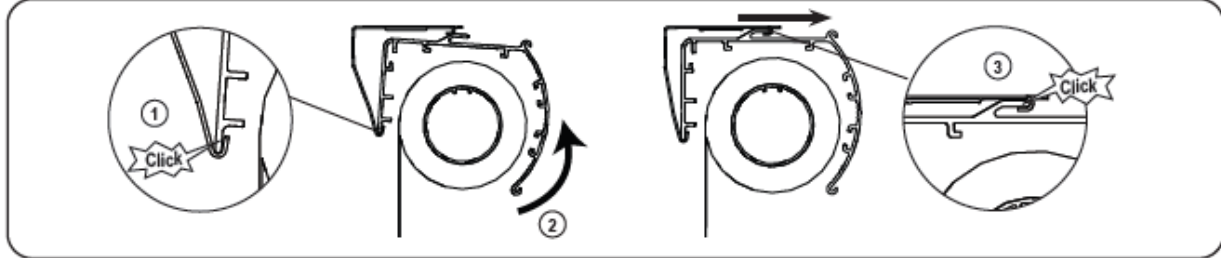
Outside Mount OB:

- Center the shade over the window opening at the desired height & width.
- Mark the location of the "Desired Cassette end mark" on both ends of the cassette.
- Measure 2 1/2" inward from the "Desired Cassette end marks" for the location of the brackets. If applicable, evenly space out the additional brackets between the brackets on both ends.
- Using the screws provided, install the brackets leveled and aligned to each other.
- See "OB" image above.

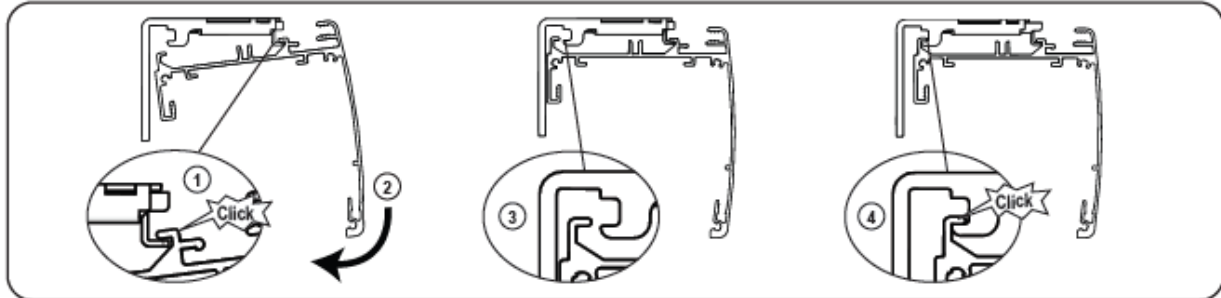
INSTALLATION INSTRUCTIONS

2. Install the Shade

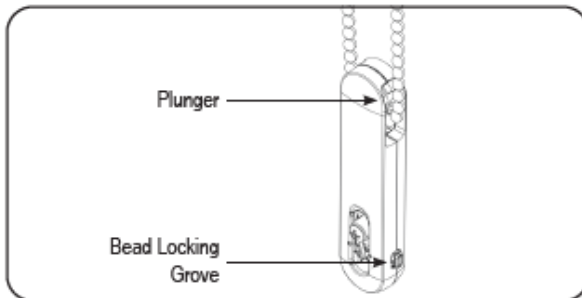
Medium and Large Curved Cassette



Square Cassette



3. Continuous Loop Control - Installation for Tensioner

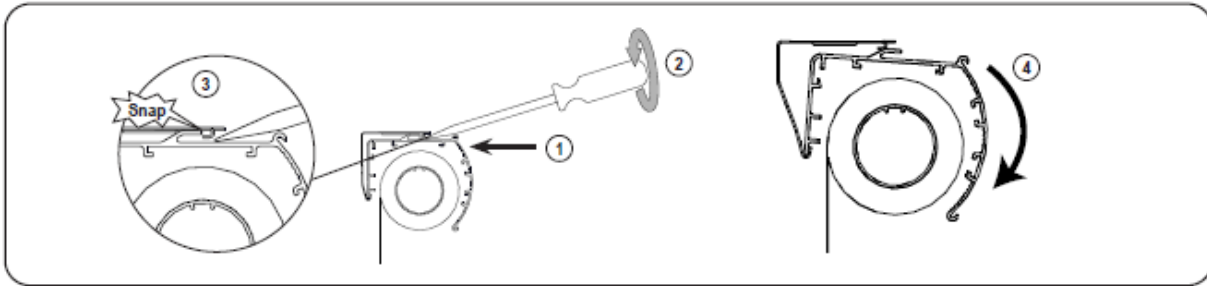


NOTE: For the shade to operate properly, the tensioner must be correctly mounted and secured.

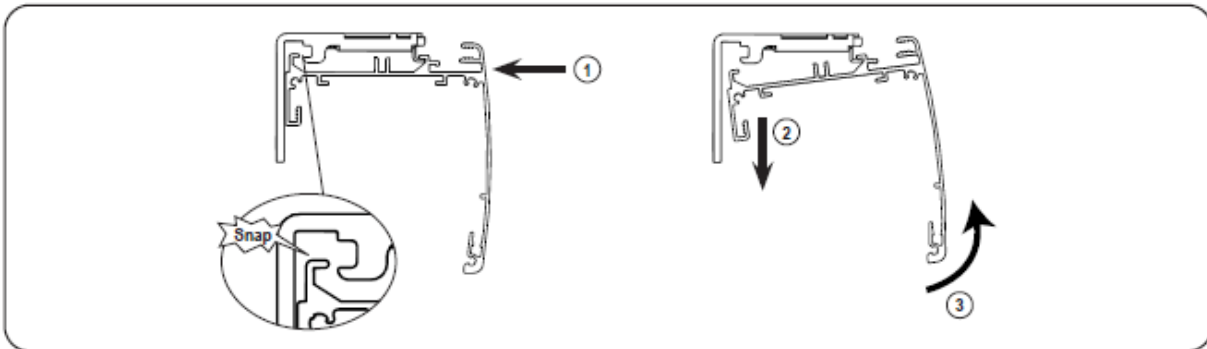
[Click this link](#) to refer to the Installation Instructions for the Bead Chain Loop, Universal Cord Tensioner

4. Removing the Shade (Only if Necessary)

Medium and Large Cassette



Square Cassette



ADJUSTMENT TIPS

Tension Adjustments For Cordless Lift

Inside Mount IB: Follow Step 4 to remove the shade from the installation bracket before adjusting the tension.

Outside Mount OB: Do not need to remove the shade from the installation bracket. Remove the end cap on the spring head side (left side for standard roll and right side for reverse roll).

- 1) Use hex key or 5mm Allen wrench to turn the spring
 - Turn clockwise to add/increase tension
 - Turn counterclockwise to decrease/reduce tension.

2) Reinstall the shade (and end cap if OB) after tension adjustment is complete.

Tension Adjustments For TouchLift™

Inside Mount IB: Follow Step 4 to remove the shade from the installation bracket before adjusting the tension.

Outside Mount OB: Do not need to remove the shade from the installation bracket. Remove the end cap on the spring head side (left side for standard roll and right side for reverse roll).

- 1) Use hex key or 5mm Allen wrench to turn the spring
 - Turn clockwise to add/increase tension
 - Turn counterclockwise to decrease/reduce tension.

2) After the additional turns for tension adjustment have been completed and with the Allen wrench still inserted inside the spring head, push the Allen wrench in to activate the inner break lock before removing the Allen wrench.

3) Reinstall the shade (and end cap if OB) after tension adjustment is complete.

Upper Limit Adjustments For TouchLift™

Inside Mount IB: Follow instruction on Step 4 to remove the shade from the installation bracket.

Outside Mount OB: Do not need to remove the shade from the installation bracket, follow below steps to adjust the upper limit.

- 1) Use hex key or 5mm Allen wrench to turn the spring
 - Turn clockwise to lower the upper limit.
 - Turn counterclockwise to raise the upper limit.

2) Reinstall the shade (and end cap if OB) after adjustment is complete.

Child Safety

Young children can **STRANGLE** in cord loops and in the loop above the cord stop. They can also wrap cords around their necks and **STRANGLE**.

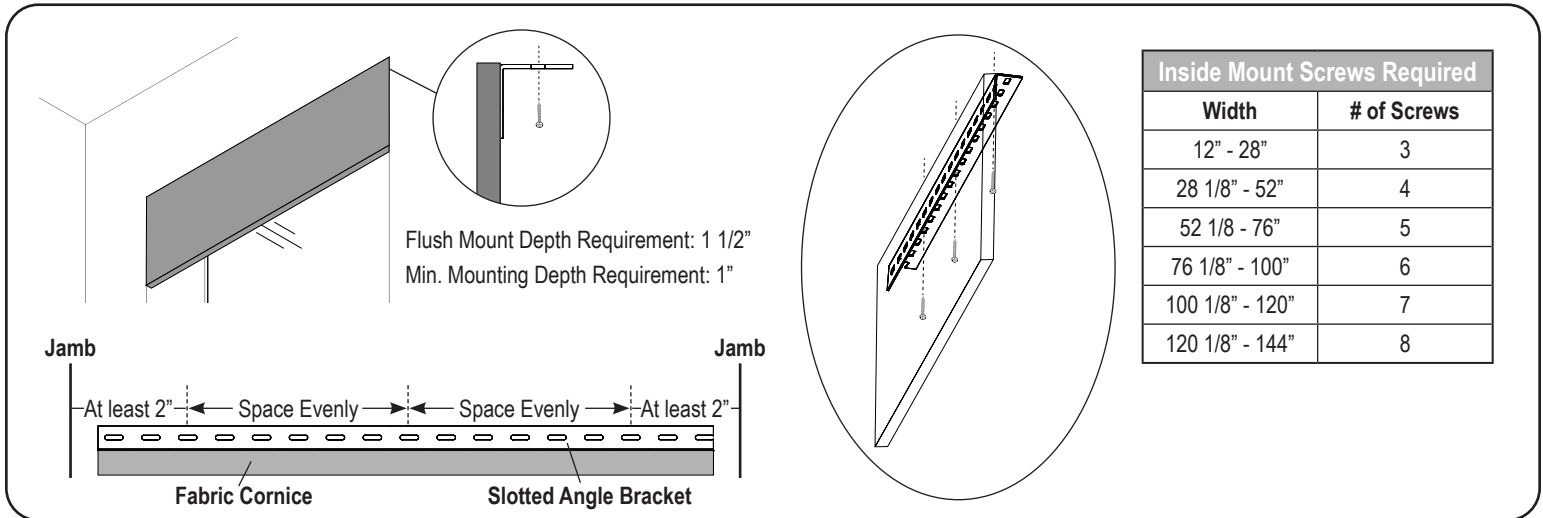
- Always keep cords out of children's reach.
- Move cribs, playpens and other furniture away from cords. Children can climb furniture to get to cords.
- Do not tie cords together.
- Make sure cords do not twist together and create a loop.

WARNING ADVERTENCIA	
Window Blind Cord Strangulation Risk Window Blinds with a damaged or loose tension device or retractable cord that fails to fully retract pose a strangulation risk to children. To avoid this potential strangulation risk, consider purchasing cordless products or products with inaccessible cords.	
Riesgo de Estrangulamiento en Cuerdas de Persianas Las persianas con un dispositivo tensor suelto o dañado o con una cuerda retractable que no se retrae completamente representan un riesgo de estrangulamiento para los niños. Para evitar un potencial riesgo de estrangulamiento, considere comprar productos inalámbricos o productos con cuerdas inaccesibles.	

1. Install the Brackets — Fabric Cornice

Important: Make sure the mounting surface is level. Brackets must be in line and level for shade to operate properly. Shim brackets if necessary. If attaching keystone, please see **1c. Attach the Keystone** before installing the brackets.

1a. Fabric Cornice — Inside Mount

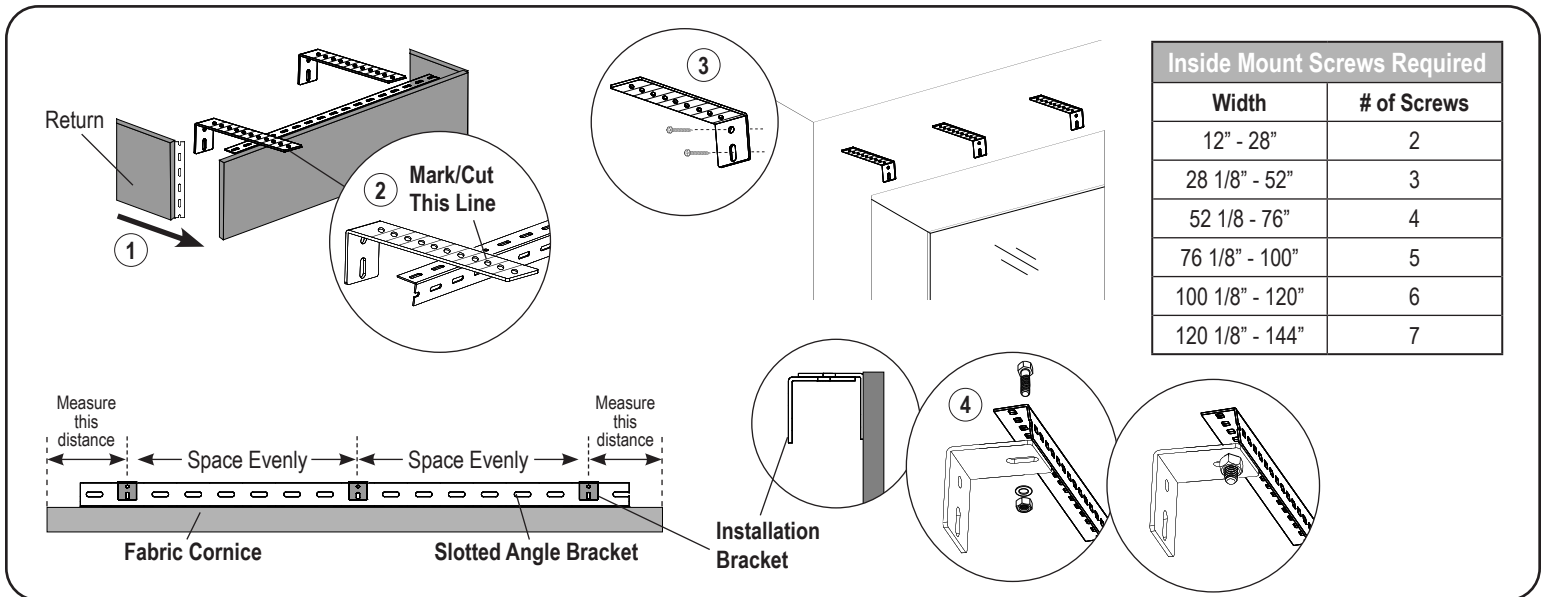


Flush Mount Depth Requirement: 1 1/2"
Min. Mounting Depth Requirement: 1"

Inside Mount Screws Required	
Width	# of Screws
12" - 28"	3
28 1/8" - 52"	4
52 1/8" - 76"	5
76 1/8" - 100"	6
100 1/8" - 120"	7
120 1/8" - 144"	8

First, center the cornice in desired location. Mark 2" from each jamb for screw location. Mark the mounting surface using a pencil. Then, center the marks in the bracket slots. Space screws evenly, but no more than 24" apart. Finally, drill screw holes. **IMPORTANT:** Use drywall anchors when mounting into drywall. Install the cornice through the slotted angle bracket to the mounting surface with the #8 x 1-1/4" screws provided. **To install shade behind the valance** – refer to *Roller Shades - Skyline Open Roll installation instructions*

1b. Fabric Cornice — Outside Mount

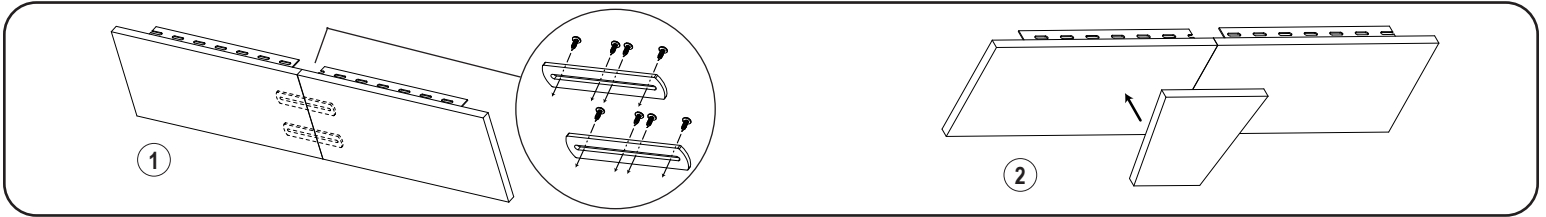


Inside Mount Screws Required	
Width	# of Screws
12" - 28"	2
28 1/8" - 52"	3
52 1/8" - 76"	4
76 1/8" - 100"	5
100 1/8" - 120"	6
120 1/8" - 144"	7

First, attach the returns to the valance and check the angle on each return. Then, fasten short screws into the valance. Repeat for opposite return. If ordered custom returns under **Fabric Cornice Only (without shade)**, place the 8" bracket on top of the slotted angle next to the return. With the back of the bracket flush with the back edge of the return, mark the cut mark just past the screw hole that lines up with the slotted angle. Then cut the bracket at the mark. Measure distance from top edge of cornice to the first complete hole in the slotted angle. Use that measurement to mark the location for the first bracket at the desired height. Repeat for the opposite bracket. Space brackets evenly, but no more than 24" apart. Install the brackets level and aligned to each other, using the screws provided. Using the bolts and nuts provided, attach the slotted angle on top of the installation brackets. **To install shade behind the valance** – refer to *Roller Shades - Skyline Open Roll installation instructions*.

INSTALLATION INSTRUCTIONS

1c. Attach the Keystone

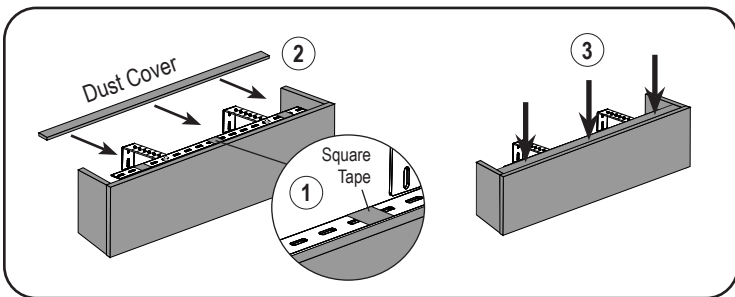


First, place the two or three fabric cornice sections on a straight surface face down and align edge-to-edge. Install splice brackets with provided screws and proceed to step 1. **Install the Brackets.** Once the cornice is installed, attach keystone with provided velcro strips at the center, covering the splice.

2. Install the Dust Cover (Outside Mount Only)

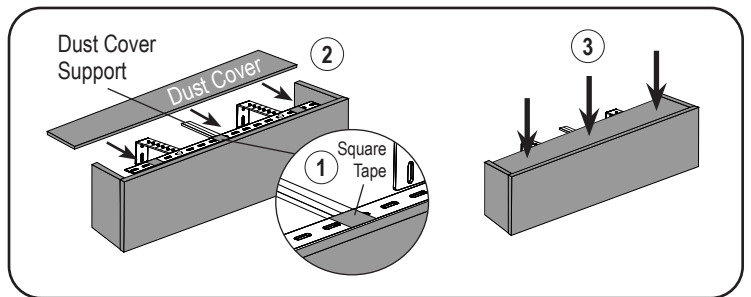
Note: Dust cover only comes with cornice 1-1/2", 4" & 6" return.

2a. 7/8" Dust Cover



First, remove adhesive backing from square tapes and place the square tapes on slotted angle. Then, put the dust cover on top of slotted angle and press it to secure the adhesive.

2b. 3 7/8" & 5 7/8" Dust Cover

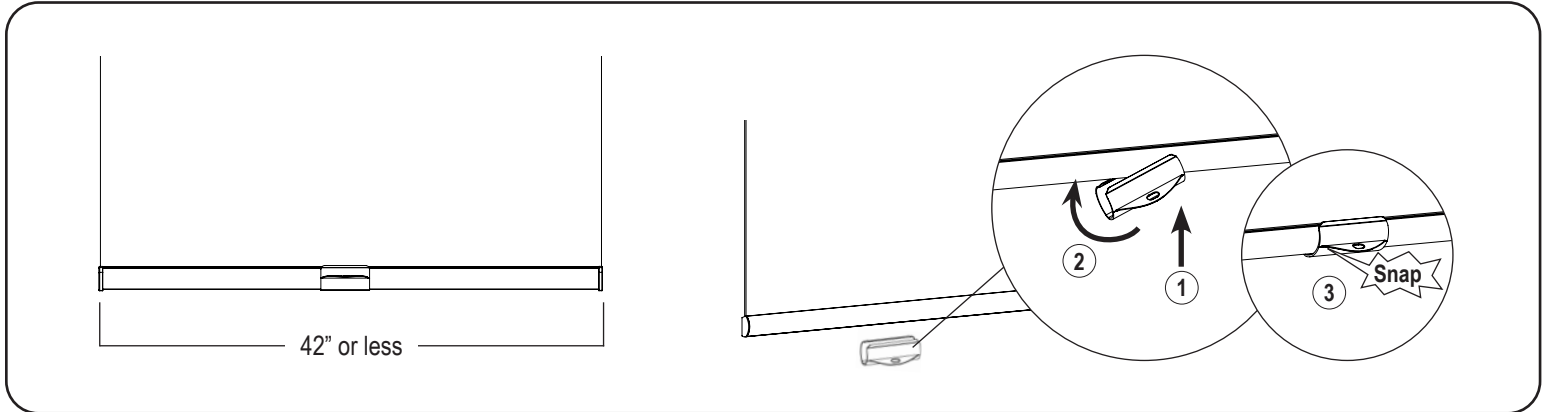


First, snap the dust cover support onto the slotted angle. Then, remove adhesive backing from square tapes and place the square tapes on slotted angle and brackets. Press the dust cover in place to secure the adhesive.



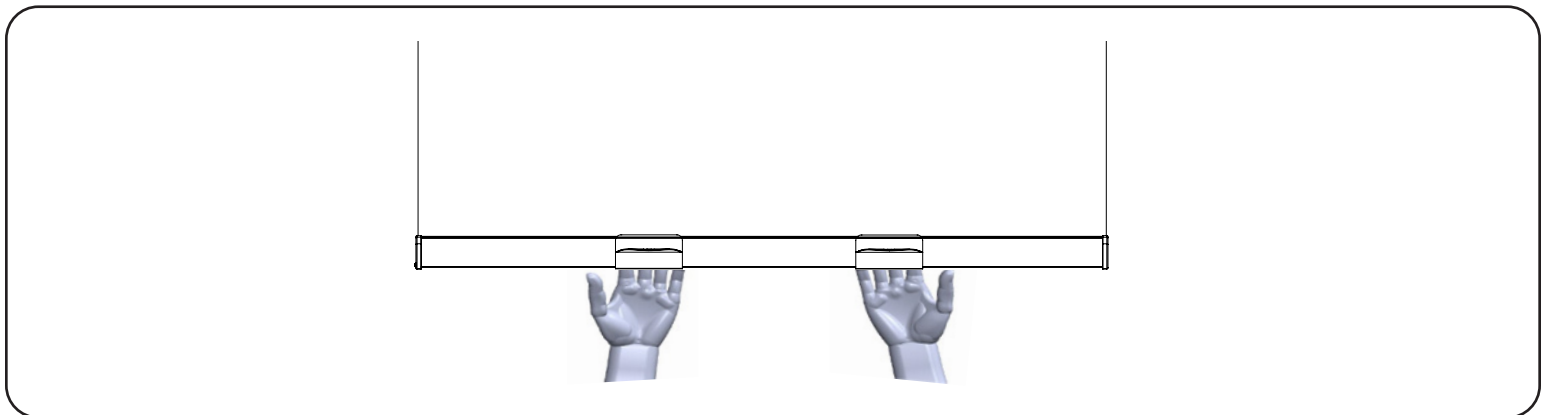
IMPORTANT: All drawings shown are for installation illustration purpose only. Actual product may vary.

Install the Cordless Handle



IMPORTANT: The handle should be attached to the center of the bottomrail if the shade is 42" in width or less.
 First, insert one end of the handle, then rotate and push the handle upward against the bottomrail until it snaps in place.

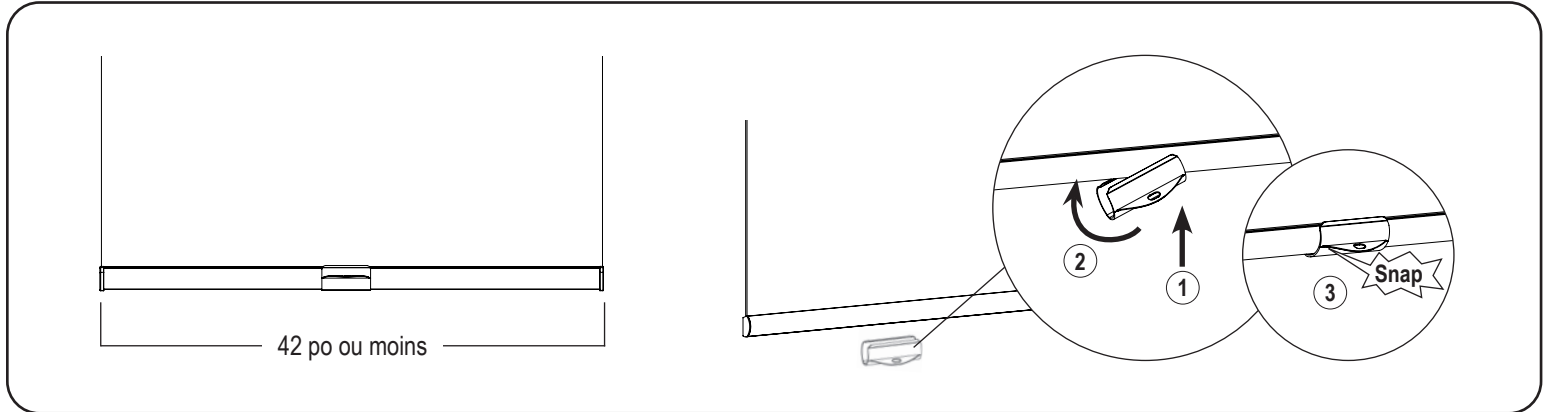
Shades Larger Than 42"



If the shade width is greater than 42", it will require two handles. They should be spaced evenly across the bottomrail to grip with two hands.

IMPORTANT : Tous les dessins présentés sont uniquement destinés à illustrer l'installation. Le produit réel peut varier.

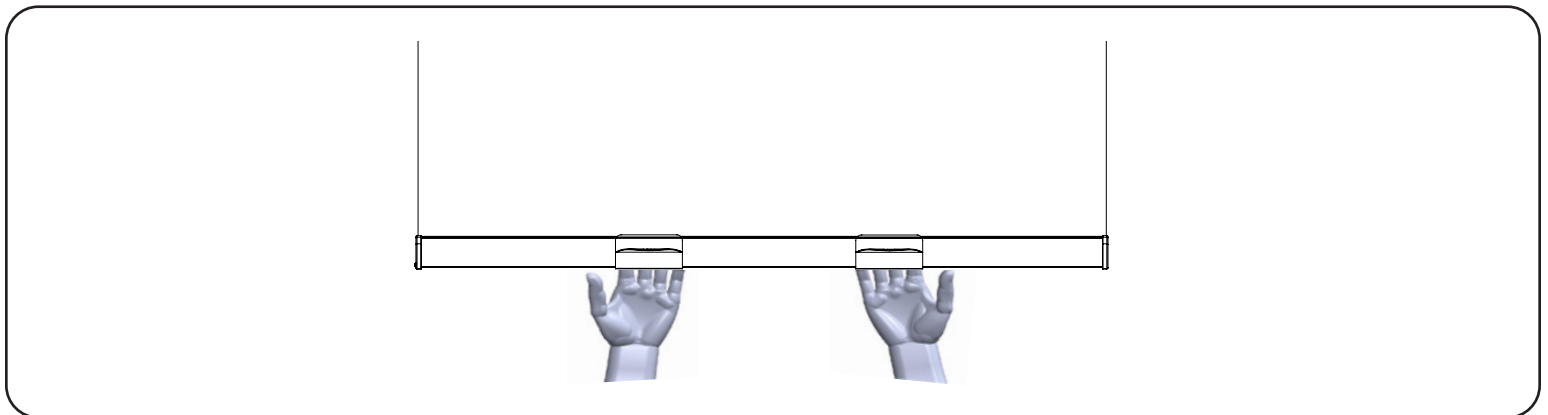
Installez la poignée sans cordon



IMPORTANT : La poignée doit être attachée au centre de la traverse inférieure si le store a une largeur inférieure à 42 po.

Tout d'abord, insérez un côté de la poignée, puis tournez et poussez la poignée vers le haut contre la traverse inférieure jusqu'à ce qu'elle se mette en place.

Les stores de plus de 42 po de large

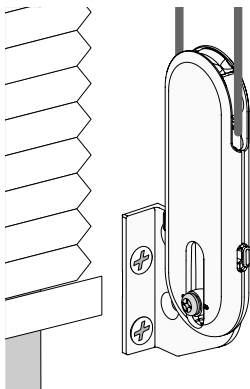


Si la largeur du store est supérieure à 42 po, il faudra deux poignées.

Elles doivent être espacées uniformément sur la traverse inférieure pour pouvoir être saisies à deux mains.



Installation Instructions



Universal Cord Tensioner

Inside Mount or Outside Mount Installations

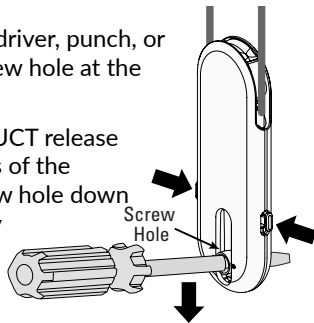
Para Español, vea la página 17.



Getting Started

Before doing anything, you must first slide the Universal Cord Tensioner (UCT) to the bottom of the cord loop.

1. Insert a small screwdriver, punch, or awl through the screw hole at the bottom of the UCT.
2. While pressing the UCT release buttons on the sides of the UCT, move the screw hole down to release the safety mechanism.
3. Slide the UCT down to the bottom of the cord loop.
4. Install the window covering.
5. Use the following instructions to secure the UCT.

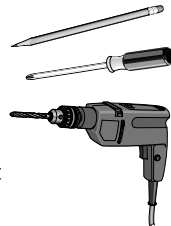


WARNING: A damaged, loose, or missing tension device poses a strangulation risk to children. Remove from use and repair or replace if tension device is damaged, loose, or missing.

CAUTION: The window covering will not operate properly unless the UCT is secured.

Required Tools

- Pencil
- Small-tip Phillips screwdriver
- Power drill with two drill bit sizes:
 - For applications not requiring wall anchors, use a $1/8$ " drill bit and drill $1 1/4$ " deep.
 - For applications requiring anchors, use a $7/32$ " drill bit.



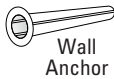
CAUTION: Use wall anchors if the mounting screws will not be secured into wood or metal. For metal surfaces, sheet metal screws are recommended.

IMPORTANT

Install the UCT in a location that minimizes access by children and pets. Locate the UCT where it will not interfere with window covering operation.

Only the supplied UCTs and UCT hardware should be used.

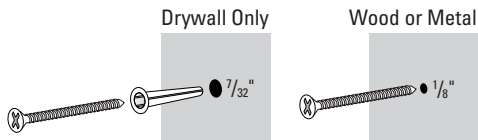
Wall Anchors



If only drywall is available for mounting, a wall anchor is required to ensure a secure attachment of the UCT. If the screw or screws can be fastened into wood or metal (even if the wood is behind drywall), a wall anchor is not necessary.

1. If no wood or metal is available to hold the screw, mark the hole position as shown in the procedures below.
2. Drill a $7/32$ " pilot hole through the drywall for each wall anchor at the locations you marked.
3. Tap each wall anchor into its pilot hole until the flange of the anchor is flush with the drywall.
4. Align the UCT or bracket holes to the anchors.
5. Attach the tensioner or bracket using the provided $1\frac{1}{2}$ " screws.

NOTE: When mounting into wood or metal, drill $1/8$ " pilot holes.



Choose a Mounting Option

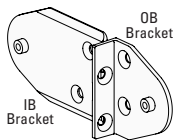
The Universal Cord Tensioner (UCT) can be mounted in one of three ways:

- For outside mount (OB) products:
 - "Outside Mount" on page 6. This attaches the UCT to a bracket secured to the wall outside the window casement.
- For inside mount (IB) products, you have two choices:
 - "Inside Mount with a Bracket" on page 10. This attaches the UCT to a bracket secured to the inside of the window casement.
 - "Inside Mount without a Bracket" on page 13. This attaches the UCT directly to the inside of the window casement.
NOTE: If mounting to a textured or uneven surface, use the provided mounting bracket.

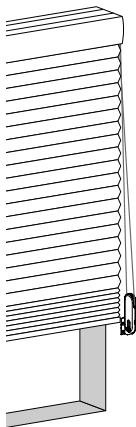
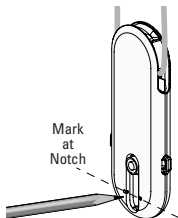
IMPORTANT: For all mounting options, locate the UCT as close to the window glass as possible to minimize accessibility by children and pets. **Be sure the UCT is not placed in the path of the bottom rail or fabric.**

Outside Mount

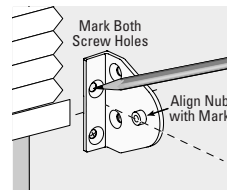
1. Break off the Outside Mount (OB) bracket.



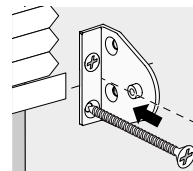
2. With the Universal Cord Tensioner (UCT) at the bottom of the cord loop, position it at the desired location.
3. Mark the wall at the notch in the UCT.



4. Hold the OB bracket with its center hole aligned with the mark and mark both screw hole locations.

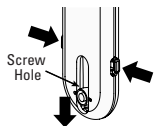


5. Drill the screw holes.
 - Determine whether or not wall anchors are required (see "Wall Anchors" on page 4) and drill either $1/8$ " pilot holes (no wall anchor) or $7/32$ " pilot holes (with wall anchor).
6. Mount the UCT bracket.
 - a. If wall anchors are required, first tap them into the pre-drilled holes.
 - b. Use a Phillips screwdriver and the longer screws provided to attach the bracket to the wall.

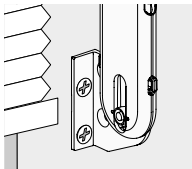


7. Attach the UCT to the bracket

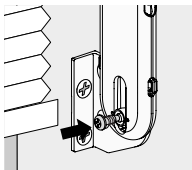
- a. Press the UCT release buttons on the sides of the UCT while pulling down on the spring-loaded screw hole.



- b. Insert the nub on the inside mount bracket into the back of the screw hole in the UCT.



- c. Insert the small provided screw into the nub through the front of the screw hole and tighten it to secure the UCT to the bracket.



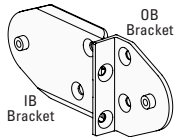
8. Ensure the cord can move freely through the UCT without engaging the lock. The center of the screw hole should be aligned with the notch in the UCT ($\pm 1/8$ ").

- If the cord does not move freely through the UCT, the cord is too tight and the UCT should be moved up.
- If the UCT locks onto the cord, the cord is too loose and the UCT should be moved down.

CAUTION: Do not pull the screw hole down to the bottom of the slot. This may cause the cord to become too tight, affecting window covering function and increasing cord wear.

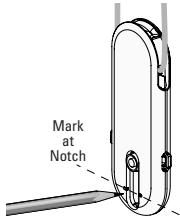
Inside Mount with a Bracket

1. Break off the Inside Mount (IB) bracket

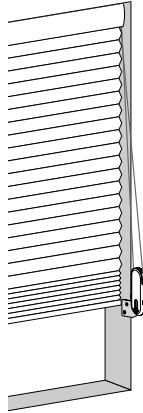
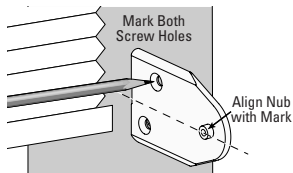


2. With the Universal Cord Tensioner (UCT) at the bottom of the cord loop, position it at the desired location.

3. Mark the window casement at the notch in the UCT.



4. Hold the IB bracket with its center hole aligned with the mark and mark both hole locations.

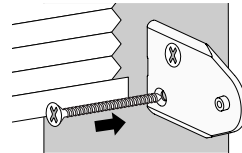


5. Drill the screw holes.

- Determine whether or not wall anchors are required (see "Wall Anchors" on page 4) and drill either a $\frac{1}{8}$ " pilot hole (no wall anchor) or a $\frac{7}{32}$ " pilot hole (with wall anchor).

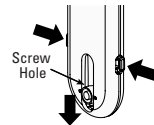
6. Mount the UCT bracket.

- a. If wall anchors are required, first tap them into the pre-drilled holes.
- b. Use a Phillips screwdriver and the longer provided screws to attach the bracket to the wall.

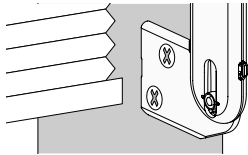


7. Attach the UCT to the bracket

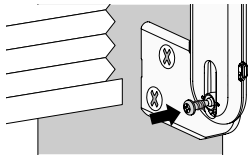
- a. Press the UCT release buttons on the sides of the UCT while pulling down on the spring-loaded screw hole.



- b. Insert the nub on the inside mount bracket into the back of the screw hole in the UCT.



- c. Insert the small provided screw into the nub through the front of the screw hole and tighten it to secure the UCT to the bracket.



8. Ensure the cord can move freely through the UCT without engaging the lock. The center of the screw hole should be aligned with the notch in the UCT ($\pm 1/8"$).

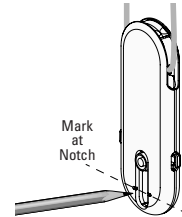
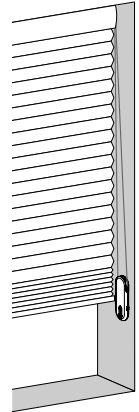
- If the cord does not move freely through the UCT, the cord is too tight and the UCT should be moved up.
- If the UCT locks onto the cord, the cord is too loose and the UCT should be moved down.

CAUTION: Do not pull the screw hole down to the bottom of the slot. This may cause the cord to become too tight, affecting window covering function and increasing cord wear.

Inside Mount without a Bracket

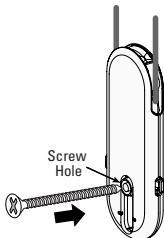
NOTE: If mounting to a textured or uneven surface, use the provided mounting bracket.

1. With the Universal Cord Tensioner (UCT) at the bottom of the cord loop, position it at the desired location.
2. Mark the window casement at the notch in the UCT.

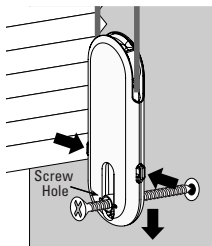


3. Mark and drill the screw hole.
 - Determine whether or not a wall anchor is required (see "Wall Anchors" on page 4) and drill either a $1/8"$ pilot hole (no wall anchor) or a $7/32"$ pilot hole (with wall anchor).
4. Mount the UCT
 - a. If a wall anchor is required, first tap the anchor into the pre-drilled hole.

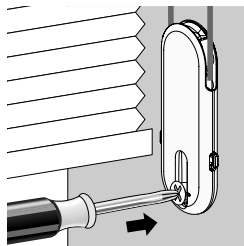
- b. Insert one of the longer provided screws into the screw hole in the UCT.



- c. Press in on the UCT release buttons and pull down on the screw hole to align the hole with the wall anchor or pilot hole.



- d. Attach the UCT directly to the wall.



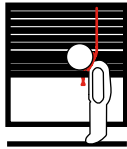
CAUTION: Do not overtighten the mounting screw. This can prevent the UCT from functioning properly and increase cord wear.

5. Ensure the cord can move freely through the UCT without engaging the lock. The center of the screw hole should be aligned with the notch in the UCT ($\pm 1/8"$).

- If the cord does not move freely through the UCT, the cord is too tight and the UCT should be moved up.
- If the UCT locks onto the cord, the cord is too loose and the UCT should be moved down.

CAUTION: Do not pull the screw hole down to the bottom of the slot. This may cause the cord to become too tight, affecting window covering function and increasing cord wear.

WARNING

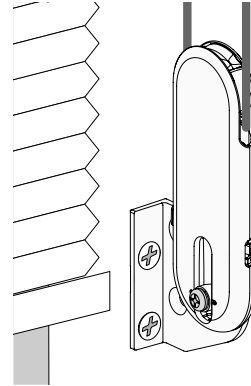


Products with a Damaged, Loose, or Missing Tension Device Pose a Strangulation Risk to Children.

This Window Blind is equipped with a Tension Device

- Remove from use and repair or replace if tension device is damaged, loose, or missing
- Tension device must be securely attached to wall or floor
- Children can climb on furniture to reach cords
 - Fasteners provided with tension device may not be appropriate for all mounting surfaces
 - Use appropriate anchors for mounting surface conditions
- Tag to be removed only by end-user

Instrucciones de instalación



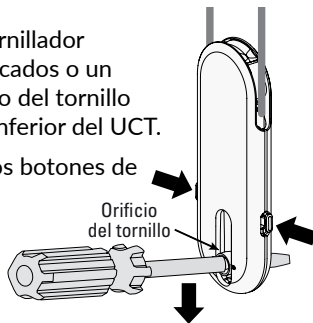
Tensor de cable universal **Instalación interior o exterior**

For English, see page 1.

Primeros pasos

Antes de empezar, debe deslizar el tensor de cable universal (UCT) hasta la parte inferior del bucle de cable.

1. Introduzca un destornillador pequeño, un sacabocados o un punzón por el orificio del tornillo situado en la parte inferior del UCT.
2. Mientras presiona los botones de liberación del UCT situados a los lados del UCT, mueva el orificio del tornillo hacia abajo para liberar el mecanismo de seguridad.
3. Deslice el UCT hasta la parte inferior del bucle de cable.
4. Instale la cubierta de la ventana.
5. Siga las siguientes instrucciones para fijar el UCT.

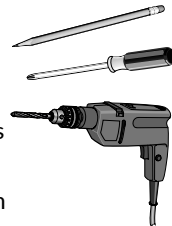


ADVERTENCIA: Un dispositivo de tensión dañado, suelto o ausente supone un riesgo de estrangulación para los niños. Si el dispositivo de tensión está dañado, suelto o no está, deje de usarlo y repárelo o sustitúyalo.

PRECAUCIÓN: La cubierta de la ventana no funcionará correctamente a menos que el UCT esté asegurado.

Herramientas necesarias

- Lápiz
- Destornillador Phillips de punta pequeña
- Taladro eléctrico con dos tamaños de broca:
 - Para trabajos que no requieran anclajes de pared, utilice una broca de $1/8$ " y taladre $1\frac{1}{4}$ " de profundidad.
 - Para trabajos que requieran anclajes, utilice una broca de $7/32$ ".



PRECAUCIÓN: Utilice anclajes de pared si los tornillos de montaje no se van a fijar en madera o metal. Para superficies metálicas, se recomiendan tornillos de chapa.

IMPORTANTE

Instale el UCT en un lugar que reduzca al mínimo el acceso de niños y animales domésticos. Ubique el UCT donde no interfiera con el funcionamiento de la cubierta de la ventana.

Utilice únicamente el UCT y los herrajes suministrados.

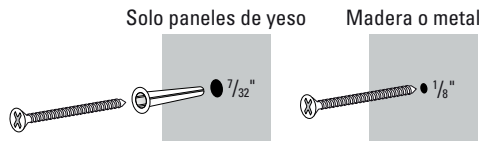
Anclajes de pared



Si solo dispone de paneles de yeso para el montaje, necesitará un anclaje de pared para garantizar una fijación segura del UCT. Si el tornillo o los tornillos se fijan a madera o metal (incluso si la madera está detrás de paneles de yeso), no es necesario utilizar un anclaje de pared.

1. Si no dispone de madera o metal para sujetar el tornillo, marque la posición del orificio como se indica en los siguientes procedimientos.
2. Taladre un orificio guía de $7/32$ " a través de la pared de yeso para cada anclaje de pared en los lugares que marcó.
3. Golpee cada anclaje de pared en su orificio guía hasta que la pestaña del anclaje esté a ras con el panel de yeso.
4. Alinee los orificios del UTC o soporte con los anclajes.
5. Fije el tensor o el soporte utilizando los tornillos de $1\frac{1}{2}$ " suministrados.

NOTA: Para el montaje en madera o metal, taladre orificios guía de $1/8$ ".



Elija una opción de montaje

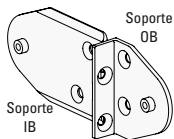
El tensor de cable universal (UCT) se puede instalar de tres maneras:

- Para productos de montaje exterior (OB):
 - "Montaje exterior" en la página 22. Esto fija el UCT a un soporte fijado a la pared fuera del marco de la ventana.
 - Para los productos de montaje interior (IB), tiene dos opciones:
 - "Montaje interior con soporte" en la página 26 Esta opción fija el UCT a un soporte fijado en el interior del marco de la ventana.
 - "Montaje interior sin soporte" en la página 29. Esta opción fija el UCT directamente al interior del marco de la ventana.
- NOTA:** Si el montaje se realiza en una superficie con textura o irregular, utilice el soporte de montaje suministrado.

IMPORTANTE: Para todas las opciones de montaje, coloque el UCT lo más cerca posible del vidrio de la ventana para reducir al mínimo el acceso de niños y mascotas. **Asegúrese de que el UCT no se coloque en la trayectoria del riel inferior o de la tela.**

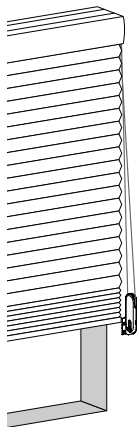
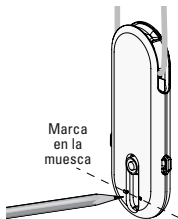
Montaje exterior

1. Rompa el soporte de montaje exterior (OB).

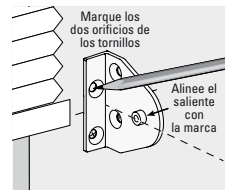


2. Coloque el tensor de cable universal (UCT) en la parte inferior del bucle de cable en la ubicación deseada.

3. Marque la pared en la muesca del UCT.



4. Sujete el soporte OB con el orificio central alineado con la marca y marque la posición de los dos orificios para los tornillos.

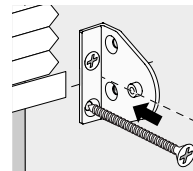


5. Taladre los orificios para los tornillos.

- Determine si se necesitan o no anclajes de pared (consulte "Anclajes de pared" on page 20) y taladre orificios guía de $\frac{1}{8}$ " (sin anclaje de pared) o de $\frac{7}{32}$ " (con anclaje de pared).

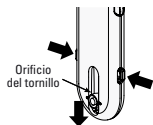
6. Monte el soporte UCT.

- a. Si necesita anclajes de pared, colóquelos primero en los orificios pretaladrados.
- b. Utilice un destornillador Phillips y los tornillos más largos suministrados para fijar el soporte a la pared.

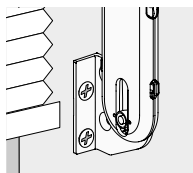


7. Fijación del UCT al soporte

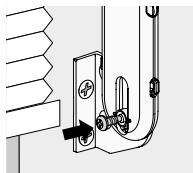
- a. Presione los botones de liberación del UCT situados a los lados del UCT mientras tira hacia abajo del orificio del tornillo accionado por resorte.



- b. Inserte el saliente del soporte de montaje interior en la parte posterior del orificio del tornillo del UCT.



- c. Inserte el pequeño tornillo suministrado en el saliente por la parte delantera del orificio del tornillo y apriételo para fijar el UCT al soporte.



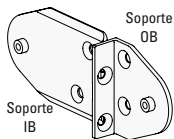
8. Asegúrese de que el cable pueda moverse libremente a través del UCT sin engancharse en el cierre. El centro del orificio del tornillo debe estar alineado con la muesca del UCT ($\pm 1/8$ ").

- Si el cable no se mueve libremente a través del UCT, es porque está muy apretado y se debe desplazar el UCT hacia arriba.
- Si el UCT se bloquea en el cable, es porque el cable está demasiado flojo y se debe desplazar el UCT hacia abajo.

PRECAUCIÓN: No tire del orificio del tornillo hasta el fondo de la ranura. Esto puede hacer que el cable quede demasiado tenso, lo que afecta a la función de cobertura de la ventana y aumenta el desgaste del cable.

Montaje interior con soporte

1. Rompa el soporte de montaje interior (IB).

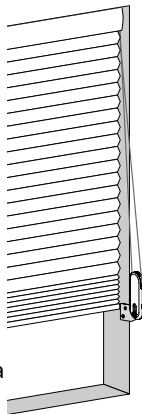
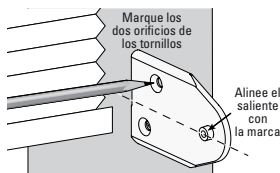


2. Coloque el tensor de cable universal (UCT) en la parte inferior del bucle de cable en la ubicación deseada.

3. Marque el marco de la ventana en la muesca del UCT.



4. Sujete el soporte IB con el orificio central alineado con la marca y marque la posición de ambos orificios.

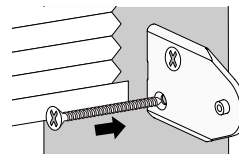


5. Taladre los orificios para los tornillos.

- Determine si se necesitan o no anclajes de pared (consulte "Anclajes de pared" on page 20) y taladre un orificio guía de $1/8$ " (sin anclaje de pared) o de $7/32$ " (con anclaje de pared).

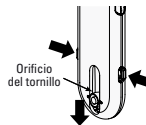
6. Monte el soporte UCT.

- a. Si necesita anclajes de pared, colóquelos primero en los orificios pretaladrados.
- b. Utilice un destornillador Phillips y los tornillos más largos suministrados para fijar el soporte a la pared.

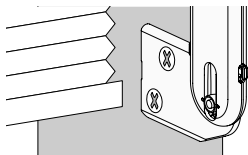


7. Fijación del UCT al soporte

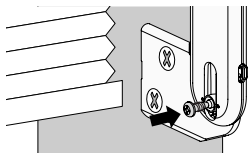
- a. Presione los botones de liberación del UCT situados a los lados del UCT mientras tira hacia abajo del orificio del tornillo accionado por resorte.



- b. Inserte el saliente del soporte de montaje interior en la parte posterior del orificio del tornillo del UCT.



- c. Inserte el pequeño tornillo suministrado en el saliente por la parte delantera del orificio del tornillo y apriételo para fijar el UCT al soporte.



8. Asegúrese de que el cable pueda moverse libremente a través del UCT sin engancharse en el cierre. El centro del orificio del tornillo debe estar alineado con la muesca del UCT ($\pm 1/8$ ").

- Si el cable no se mueve libremente a través del UCT, es porque está muy apretado y se debe desplazar el UCT hacia arriba.
- Si el UCT se bloquea en el cable, es porque el cable está demasiado flojo y se debe desplazar el UCT hacia abajo.

PRECAUCIÓN: No tire del orificio del tornillo hasta el fondo de la ranura. Esto puede hacer que el cable quede demasiado tenso, lo que afecta a la función de cobertura de la ventana y aumenta el desgaste del cable.

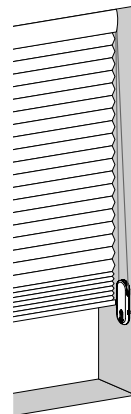
Montaje interior sin soporte

NOTA: Si el montaje se realiza en una superficie con textura o irregular, utilice el soporte de montaje suministrado.

1. Coloque el tensor de cable universal (UCT) en la parte inferior del bucle de cable en la ubicación deseada.
2. Marque el marco de la ventana en la muesca del UCT.

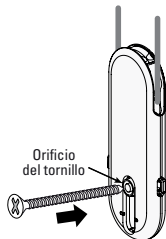


3. Marque y taladre el orificio para el tornillo.
 - Determine si se necesita o no un anclaje de pared (consulte "Anclajes de pared" en la página 20) y taladre un orificio guía de $1/8$ " (sin anclaje de pared) o de $7/32$ " (con anclaje de pared).

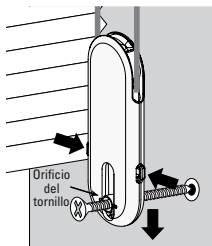


4. Monte el UCT.

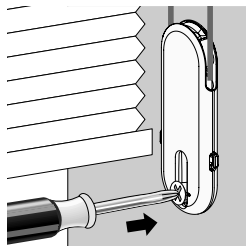
- Si necesita un anclaje de pared, colóquelo primero en el orificio pretaladrado.
- Inserte uno de los tornillos más largos suministrados en el orificio del UCT.



- Presione los botones de liberación del UCT y tire hacia abajo del orificio del tornillo para alinear el orificio con el anclaje de pared o el orificio guía.



- Fije el UCT directamente a la pared.



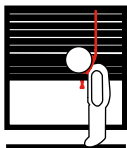
PRECAUCIÓN: No apriete demasiado el tornillo de montaje. Esto puede impedir que el UCT funcione correctamente y aumentar el desgaste del cable.

- Asegúrese de que el cable pueda moverse libremente a través del UCT sin engancharse en el cierre. El centro del orificio del tornillo debe estar alineado con la muesca del UCT ($\pm 1/8$ ").

- Si el cable no se mueve libremente a través del UCT, es porque está muy apretado y se debe desplazar el UCT hacia arriba.
- Si el UCT se bloquea en el cable, es porque el cable está demasiado flojo y se debe desplazar el UCT hacia abajo.

PRECAUCIÓN: No tire del orificio del tornillo hasta el fondo de la ranura. Esto puede hacer que el cable quede demasiado tenso, lo que afecta a la función de cobertura de la ventana y aumenta el desgaste del cable.

ADVERTENCIA



Productos con un Dispositivo Tensor Dañado, Suelto o Ausente Presentan un Riesgo de Estrangulamiento Para los Niños.

Esta Persiana está equipada con un Dispositivo Tensor

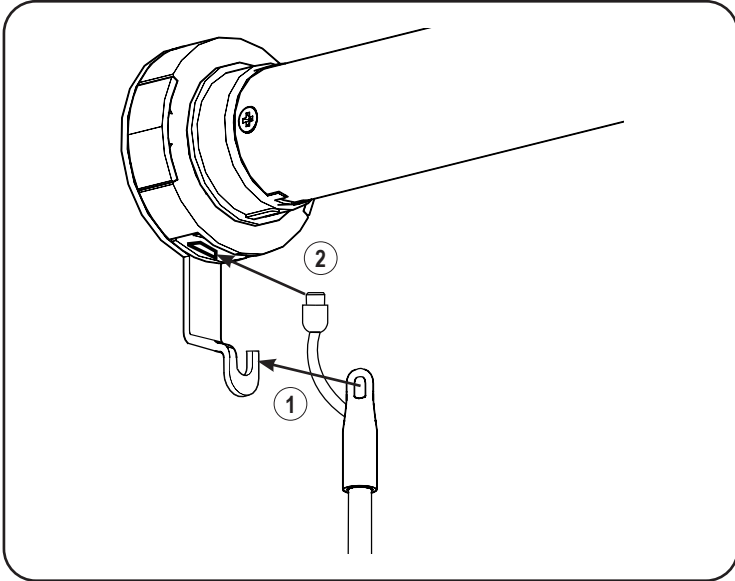
- Retire del uso y arregle o reemplace si el dispositivo tensor está dañado, suelto o ausente
- El dispositivo tensor debe estar firmemente sujeto a la pared o al piso
- Los niños pueden subirse a los muebles para alcanzar las cuerdas
 - Los taquetes proporcionados con el dispositivo tensor pueden ser inapropiados para todas las superficies de montaje
 - Utilice anclas apropiadas para los diferentes tipos de las superficie del montaje
- La etiqueta puede ser quitada solo por el ultimo que la obtiene

QUICK PROGRAMMING GUIDE

POWERWAND™

Honeycomb Shades | Banded Shades | Roller Shades
Sheer Shadings | Natural Woven Shades

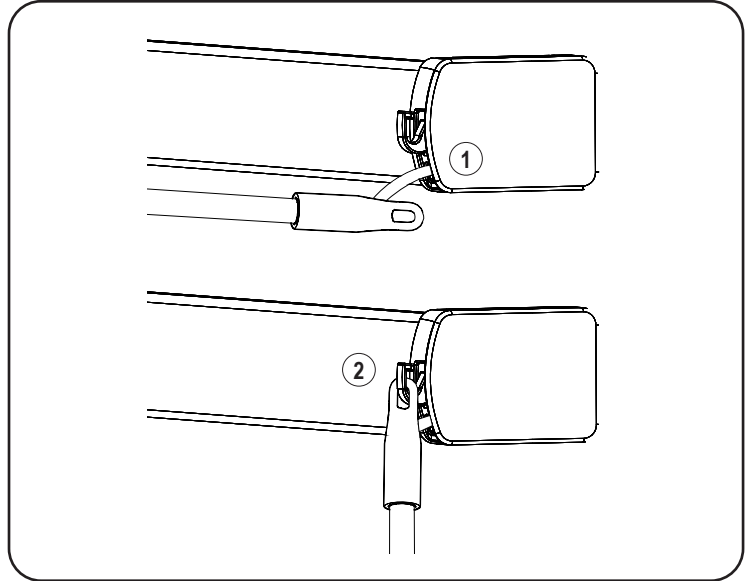
1a. Attach the Wand — Sheer Shadings, Banded & Roller Shades



On Banded Shades, Roller Shades and Sheer Shadings, with the wand control buttons facing you, attach the top of the wand on the metal hook support (1) on the motor control side, then connect the cable into the motor head (2).

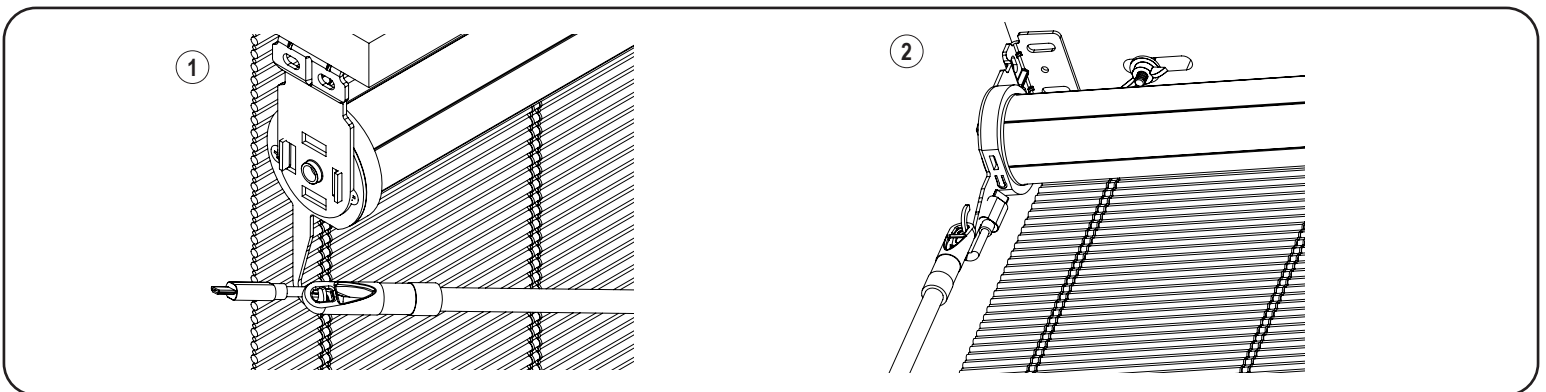
Note: On Sheer Shadings ordered with Powerwand on the right side, the cable may be wrapped around the hook. This is normal. You may unwrap, if you desire, as this does not affect functionality. You still need to connect the cable into the motor head.

1b. Attach the Wand — Honeycomb Shades



On Honeycomb shades, the wand will be already connected to the shade (1). With the wand control buttons facing you, attach the top of the wand into the plastic hook support on the motor control side (2).

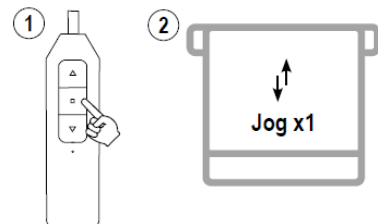
1c. Attach the Wand — Natural Woven Shades



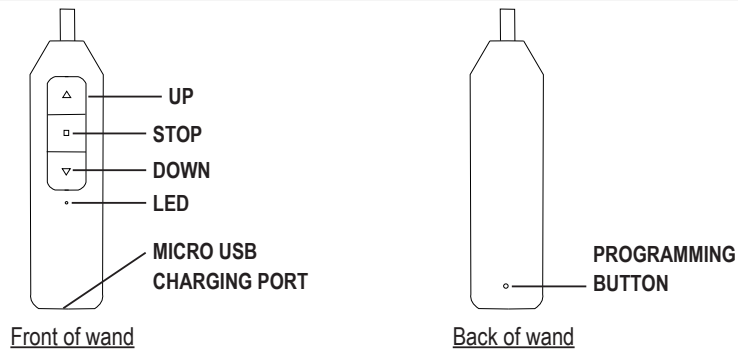
On Natural Woven Shades, with the wand control buttons facing you (1) approach the hook with the wand parallel to the headrail. (2) Gently twist the wand to attach it to the hook. Connect the cable into the motor.

Important: Before starting the programming, install the shade following the installation instructions provided. Honeycomb shades are shipped with the motor in sleep mode to avoid activation during transit.

For Honeycomb Shades, To wake up the motor prior to operating the shade: Press the STOP button 5 times (1) - the first 4 times press quickly and the 5th time PRESS and HOLD the stop button until the motor jog (2).



2. Operate the Wand



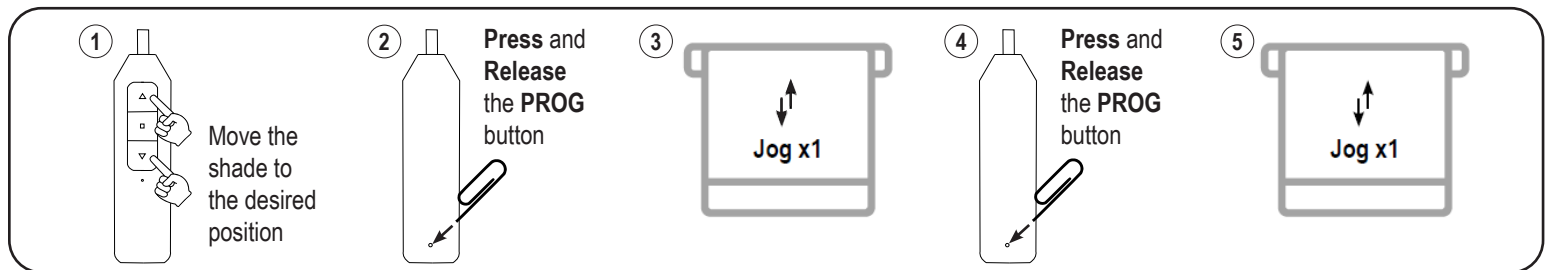
Roller and Honeycomb Mode:

- Press the **DOWN** or **UP** button to lower or raise the shade. Press the **STOP** to stop the shade at the desired position.

Sheer Shadings and Banded Shades Mode:

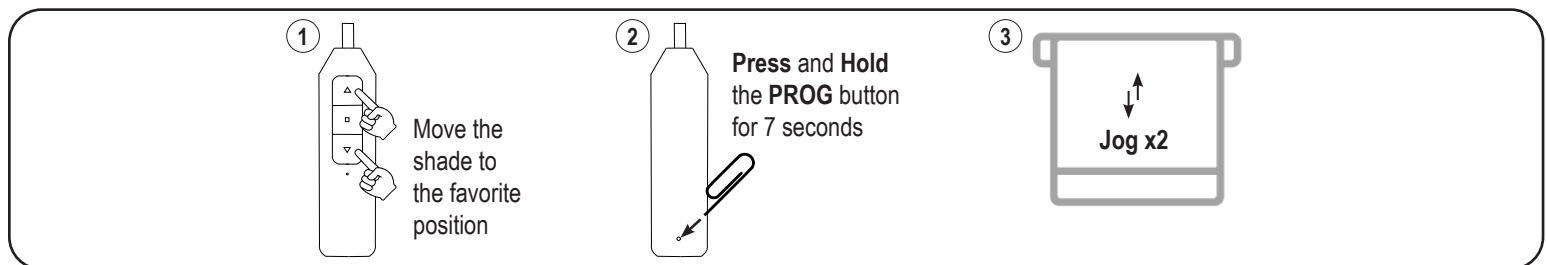
- Tapping the **UP** or **DOWN** button for less than 2 seconds will move the shade in short steps.
- Holding the **UP** or **DOWN** button down for more than 2 seconds before releasing will operate the shade at the standard speed.
- Press the **STOP** button to stop the shade at the desired position.

3. Set a Favorite Position



IMPORTANT: Once the favorite position is set, the shade will always stop at the designed favorite position when passing by it. Click 2 x Up or Down button, the shade will go to set Top or Bottom Limit.

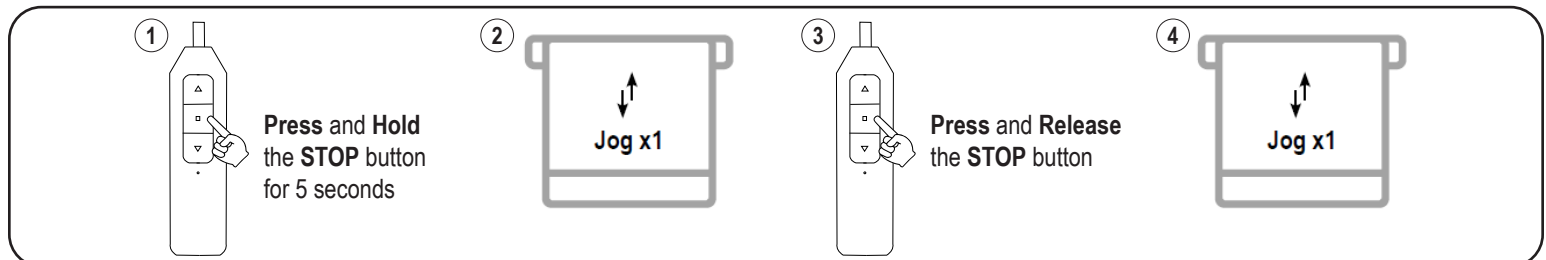
4. Remove a Favorite Position



5. Advanced Programming

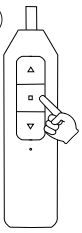
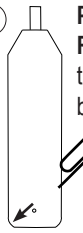
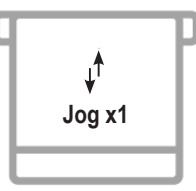
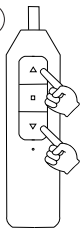
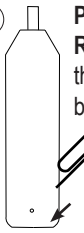
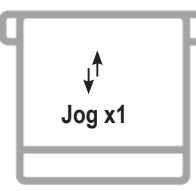
IMPORTANT: Damage to shade may occur when operating the motor prior to setting limits. Attention should be given.

Switch between Roller and Sheer Shadings Mode

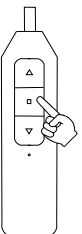
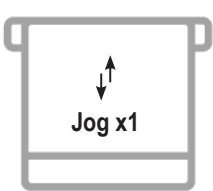

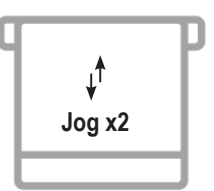


QUICK PROGRAMMING GUIDE

Adjust the Top and/or Bottom Limit

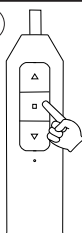
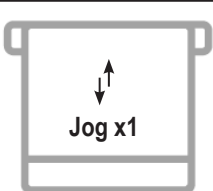
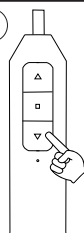
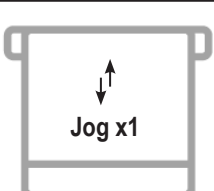
-  Move the shade to the limit that should be adjusted
-  Press and Release the **PROG** button
-  Jog x1
-  Adjust the shade to the desired limit position
-  Press and Release the **PROG** button
-  Jog x1

Factory Motor Reset

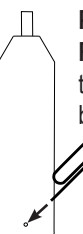
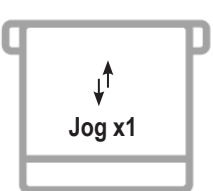
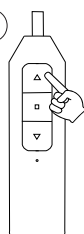
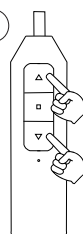

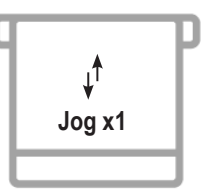
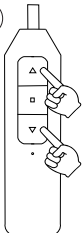
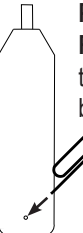
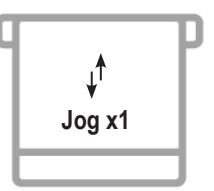

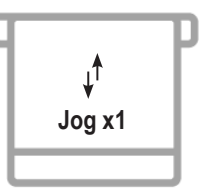
-  Press and Hold the **STOP** button for 5 seconds
-  Jog x1
-  Press and Hold the **PROG** button for 7 seconds
-  Jog x2

IMPORTANT: All limits will be erased. The motor direction will return to default and may need to be adjusted.

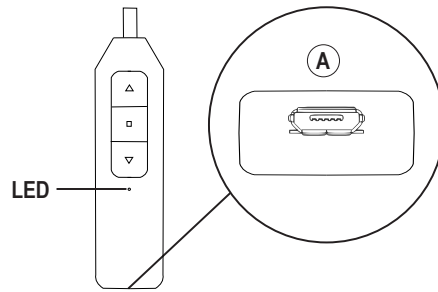
Reverse UP and DOWN Commands (Only if necessary)

-  Press and Hold the **STOP** button for 5 seconds
-  Jog x1
-  Press and Release the **DOWN** button
-  Jog x1

Set Upper and Lower Limits (Only after Factory Motor Reset)

-  Press and Release the **PROG** button
-  Jog x1
-  Press **UP** to set the **TOP LIMIT**
-  Adjust the shade to the desired top limit
-  Press and Release the **PROG** button
-  Jog x1
-  Adjust the shade to the desired lower limit
-  Press and Release the **PROG** button
-  Jog x1
-  Press and Release the **PROG** button
-  Jog x1

6. Charge the Battery



When the shade begins to operate slower than normal or only beeps when you attempt to operate, it is time to charge the battery.

To Charge, connect a standard micro USB cable into the bottom of the wand (A) and into USB 5V/2A (max) power supply. A red LED on the wand indicates that the battery is charging. To fully charge the batteries, allow the batteries to charge for at least 1 hour after the LED on the wand turns green.

Note: A typical charge cycle can take between 4-6 hours.

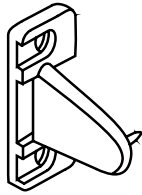
Troubleshooting

Issues	Possible Causes	Solution
The shade is not responding	Built in battery is depleted	Recharge with compatible USB 5V/2A (max) adapter and a micro USB cable. Details under “6. Charge the Battery”
	Wand is not fully connected to the motor	Check the connection between the wand and the motor
The shade moves the opposite direction on the control buttons	The motor direction is reversed	See details under “Reverse Up and Down Commands”
The shade stops by itself before it reaches the top or bottom limit	A favorite position was set	See details under “4. Remove a Favorite Position”
The shade only moves in small steps after pressing the button	The shade is operating on Sheer Shadings/ Banded Shades mode	Switch to Roller/Honeycomb mode by following the steps under “Switch between Roller and Sheer Shadings Mode”
	The shade has no limit set	See details under “Set Upper and Lower Limits”



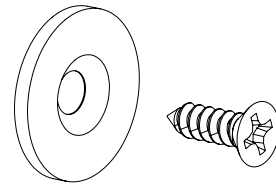
1. Identify the Type of Hold-Down

Standard Hold-Down Bracket



Standard hold-down is compatible with OMNI bottom rails only and NOT recommended for inside mount (IB).

Magnetic Hold-Down Catch

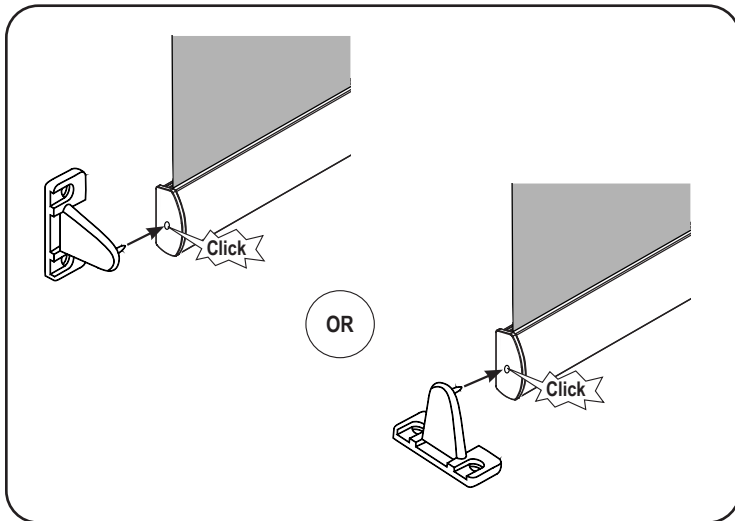


Magnetic hold-down is available for outside mount (OB) and for all operating systems.

2. Install the Shade

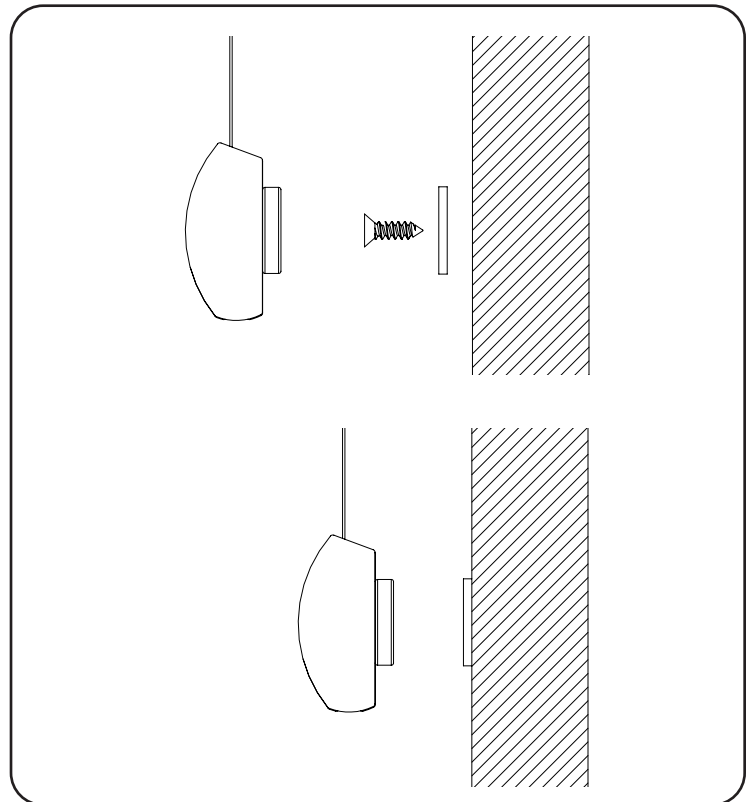
To install the shade, please refer to the provided Roller Shades installation instructions.

3a. Install the Hold-Down — Standard



Lower the blind until the bottomrail is resting on the window sill. Then, press or gently hammer the hold-down brackets into the hole on the end cap installed on both sides of the bottomrail. With the hold-downs attached, mark the desired bracket locations on the mounting surface. Finally, making sure the brackets are level, install the hold-downs using the two screws provided.

3b. Install the Hold-Down — Magnetic



Important: The magnets will be pre-installed onto the bottom rail. The round catch plate will be provided.

Lower the shade to align the magnet with the location for the catch. Once location has been identified, mark the position of the catch onto the wall by pressing the screw into the wall. Raise the shade and install the catch plate to the marking made and with the screw provided.

When shades are fully lowered and the bottom rail is attached to either hold down brackets, detach the bottom rail from the brackets/catches before raising the shade.

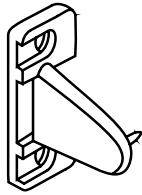
Child Safety

WARNING STRANGULATION HAZARD – Young children can be strangled by cords. Immediately remove this product if a cord longer than 22 cm or a loop exceeding 44 cm around becomes accessible. Rev 7/21 Print 7/21

MISE EN GARDE RISQUE D'ÉTRANGLEMENT – Les enfants en bas âge peuvent s'étrangler avec des cordes. Enlevez immédiatement ce produit si une corde mesurant plus de 22 cm devient accessible ou si le contour d'une boucle de plus de 44 cm devient accessible.

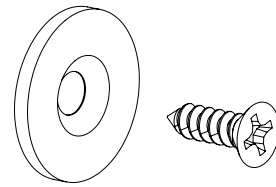
1. Identifiez le type de taquets de retenue

Taquet de retenue standard



Le taquet de retenue standard est compatible avec les traverses inférieures omni uniquement et n'est pas recommandé pour les montages intérieurs (IB).

Taquet de retenue magnétique

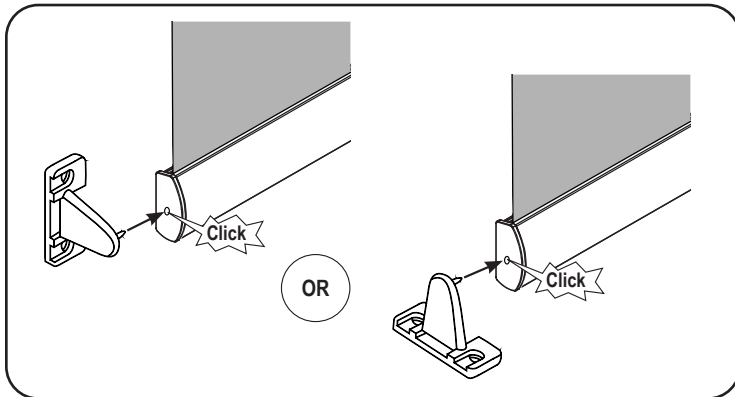


Le taquets de retenue magnétique est disponible pour les montages extérieurs (OB) et sur tous les les systèmes d'exploitation.

2. Installez le store

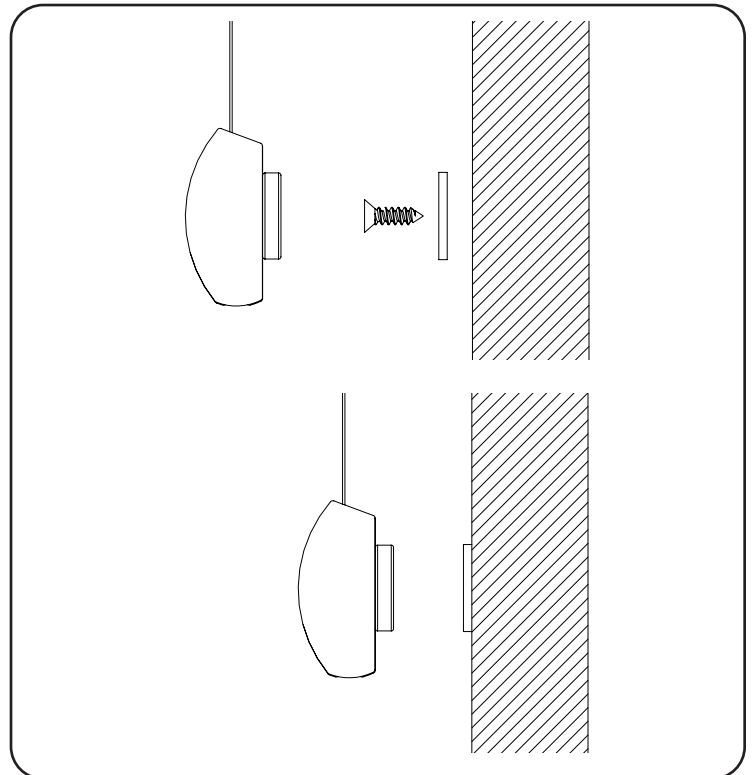
Pour installer le store, veuillez vous référer aux instructions d'installation fournies pour les stores à enrouleur.

3a. Installez le taquet de retenue — standard



Abaissez le store jusqu'à ce que la traverse inférieure repose sur le rebord de la fenêtre. Ensuite, appuyez ou frappez doucement les taquets de retenue dans les trous des capuchons d'extrémité des deux côtés de la traverse inférieure. Lorsque les taquets de retenue sont fixés, marquez les emplacements souhaités des supports sur la surface de montage. Enfin, en vous assurant que les supports sont de niveau, installez les taquets de retenue à l'aide des deux vis fournies.

3b. Installez le taquet de retenue — magnétique



Important : les taquets de retenue magnétiques doivent être situées dans la zone magnétique à partir du bord de la traverse inférieure.

Tout d'abord, abaissez le store et définissez la position du taquet de retenue. Ensuite, relevez le store et marquez l'emplacement souhaité sur la surface de montage. Enfin, en vous assurant que les supports sont de niveau, installez les taquets de retenue à l'aide des vis fournies.

Lorsque les stores sont complètement baissés et que la traverse inférieure avec les aimants est fixée au taquet, détachez la traverse inférieure du taquet avant de remonter le store.

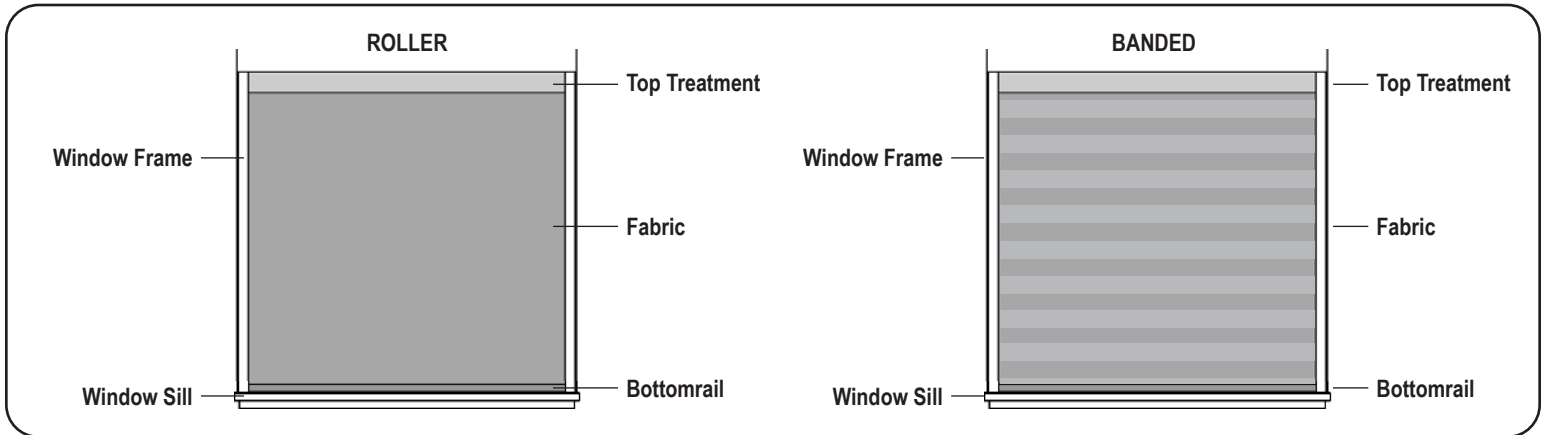
Sécurité des enfants

⚠ WARNING STRANGULATION HAZARD –
Young children can be strangled by cords.
Immediately remove this product if a cord longer than 22 cm or a loop exceeding 44 cm around becomes accessible. Rev 7/21 Print 7/21

⚠ MISE EN GARDE RISQUE D'ÉTRANGLEMENT –
Les enfants en bas âge
peuvent s'étrangler avec des cordes. Enlevez immédiatement ce produit si une corde mesurant plus de 22 cm devient accessible ou si le contour d'une boucle de plus de 44 cm devient accessible.

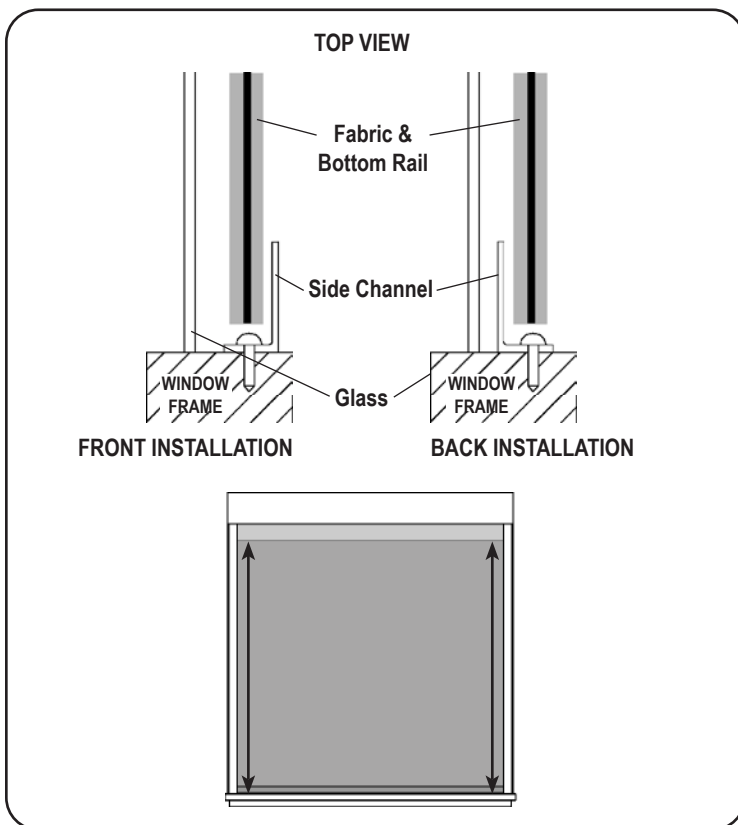


1. Install and lower the Shade



Note: Please refer to the provided shade installation instructions on how to install the shade. Once the shade has been installed, lower the shade to rest on the window sill.

2. Prepare the Privacy Strips

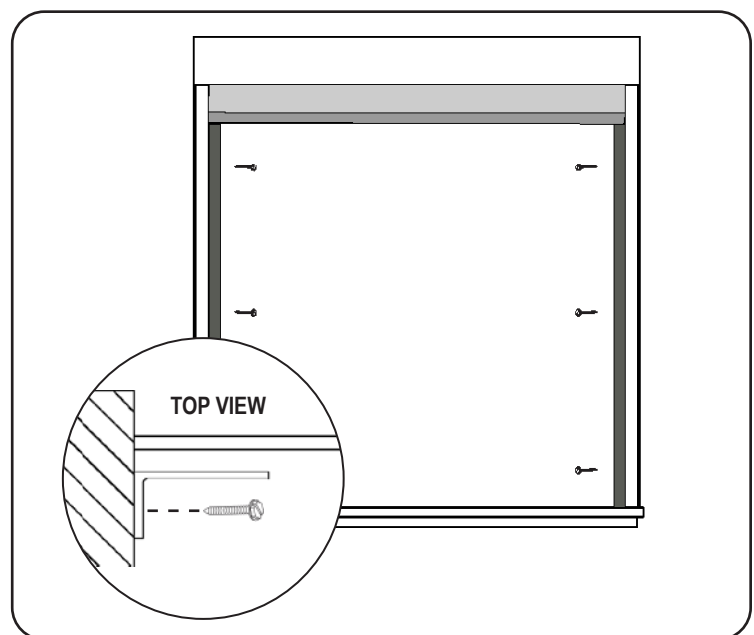


Note: Before installing your privacy strips, determine if you will be mounting the product in front or behind the material.

Measure the height of the opening where side channel is to be installed and verify that each piece fits in the intended space. Adjust the privacy strip with a saw if needed.

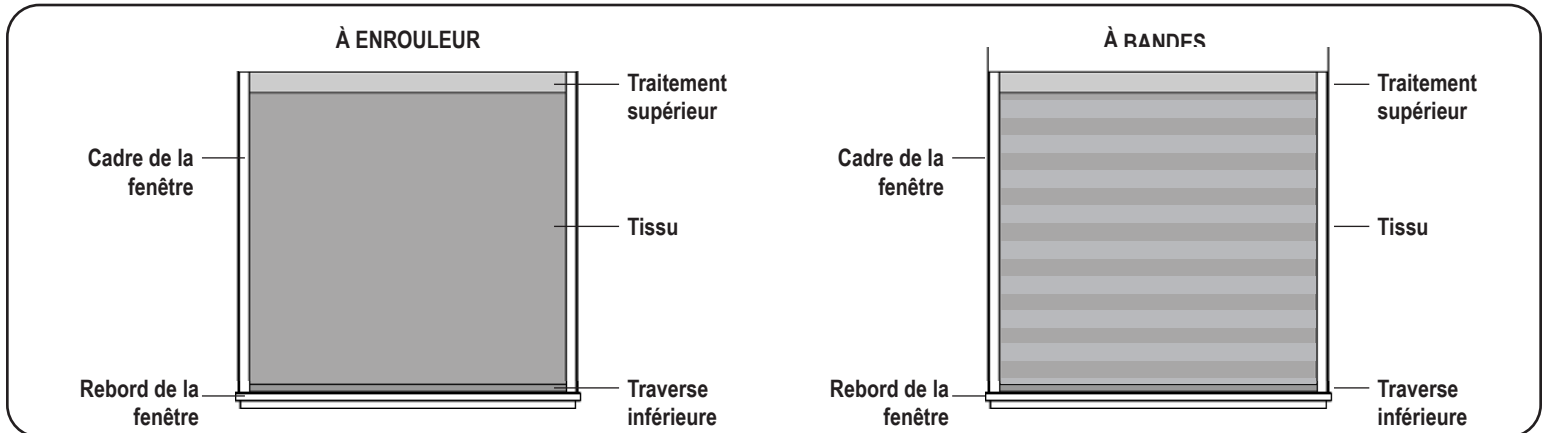
It is important to measure from the bottom of the top treatment to the window sill.

3. Install the Privacy Strip



Once mounting locations are determined, with the shade raised, install your privacy strips with the provided installation screws. It is recommended to evenly spaced the screws.

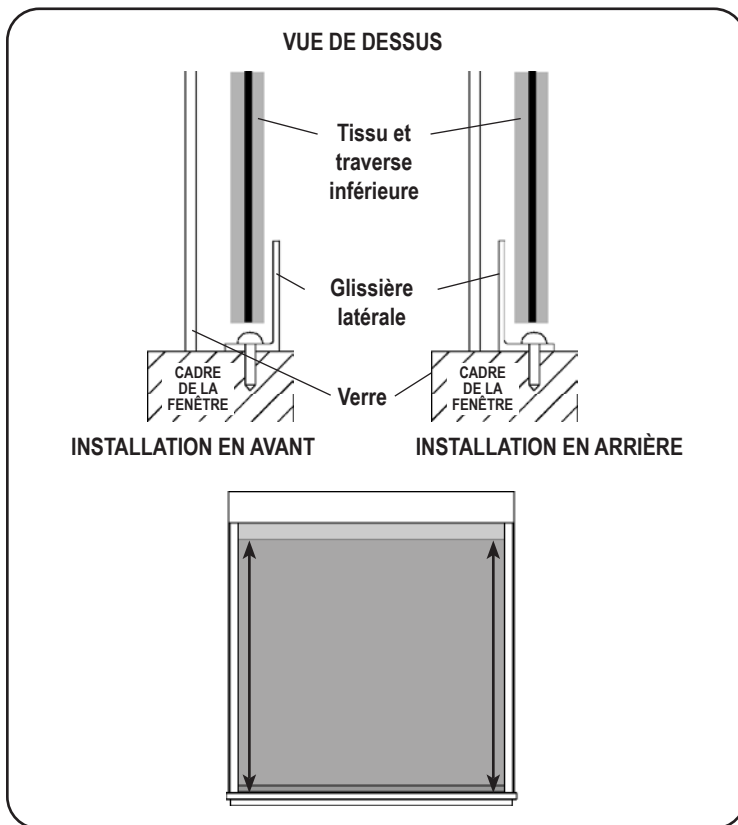
1. Installez et abaissez le store



Remarque : Pour les instructions pour installer le store - référez aux instructions fournies.

Une fois le store installé, abaissez le store pour qu'il repose sur le rebord de la fenêtre.

2. Préparez les glissières

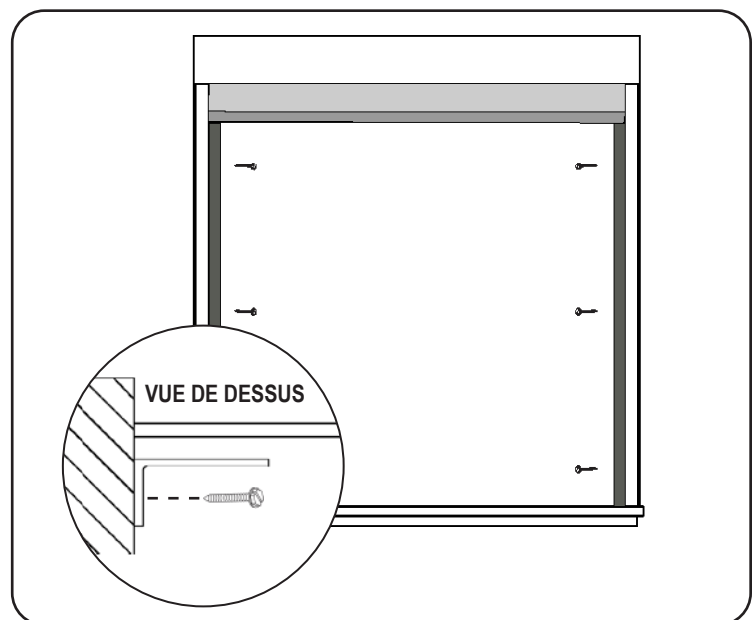


Remarque : Avant d'installer vos glissières, déterminez si vous allez monter le produit en avant ou en arrière le matériel.

Mesurez la hauteur de l'ouverture où la glissière latérale sera installée et vérifiez que chaque pièce correspond avec l'espace prévu. Ajustez la glissière avec une scie si nécessaire.

Mesurez à partir du bas du traitement supérieur au rebord de la fenêtre.

3. Installez les glissières



Après avoir déterminé les lieux de montage, avec le store relevé, installez vos glissières avec les vis d'installation fournies. Nous vous recommandons d'espacer vos vis uniformément. le tissu.

