

BEFORE STARTING

Your new fauxwood blind is custom made to your specifications from the finest material available. The installation should be easy and your blind should fit beautifully.

Mounting Options

Inside mount: Blind is mounted inside the window frame, either to the top of the frame or to the sides.

Outside mount: Blind is mounted either on or outside the window frame.

Note: Mounting screws provided are suitable for most mounting surfaces. See below for additional suggestions.

For wallboard or plaster: Use the provided hollow wall anchors for added support.

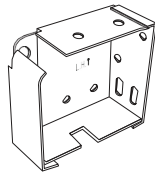
For concrete, stone, brick or tile: Use an appropriate drill and appropriate anchors before fastening the screws.

For metal surfaces: Pre-drill holes and use an appropriate anchors before fastening the screws.

Suggested Tools

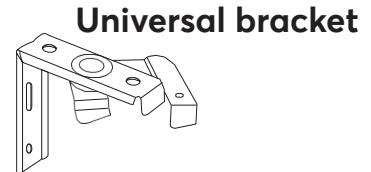
- Drill
- Level
- Pencil
- Screwdriver
- Tape measure

Parts:



Box bracket

Quantity: 2 or more
Quantity: 2 depending on width of the blind



Universal bracket

Screws



Quantity: 2 per bracket



Valance clip

Quantity: 2 or more depending on width of blind

Getting started

Mounting Options (please refer only to instructions for mounting option specified in your order.)

Inside mount: Blind is mounted inside the window frame.

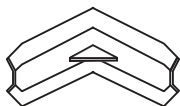
Outside mount: Blind is mounted either on or outside the window frame.

Step 1. Mounting brackets

1. The brackets should be positioned approximately 9" in from each end of the headrail. If necessary, adjust the position of the brackets to avoid interfering with the operating components inside the headrail.
2. Using 2 screws per bracket, fasten the brackets to the mounting surface. Leave brackets in open position

Optional Hardware

(only provided for specific applications)



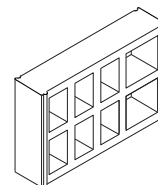
Side Return 'L' Clips

Quantity: 2 (only if side returns are not glued)



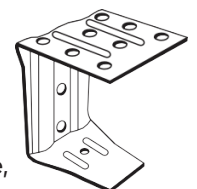
Hold down bracket

(to hold the bottom rail of the blind from window/frame/wall)



Spacer blocks

(to bring the blind away in place, i.e. for a door window)



Center support bracket

(used with box brackets for blinds wider than 44")

Getting started

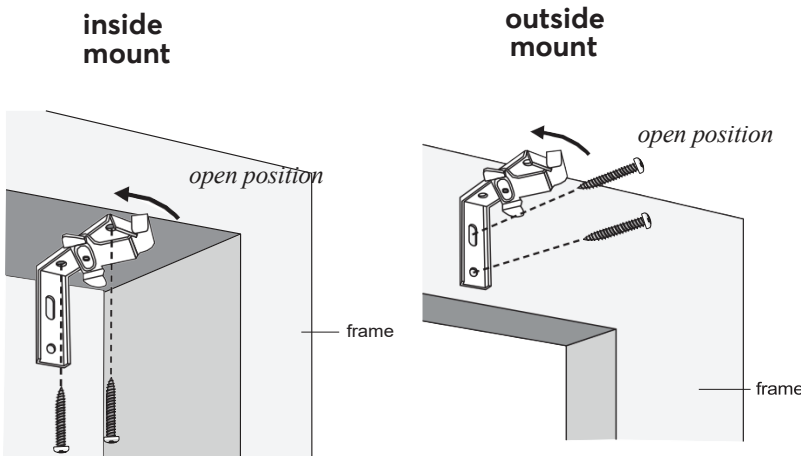
Mounting Options (please refer only to direction for mounting option specified in your order.)

Inside mount: Blind is mounted inside the window frame.

Outside mount: Blind is mounted either on or outside the window frame.

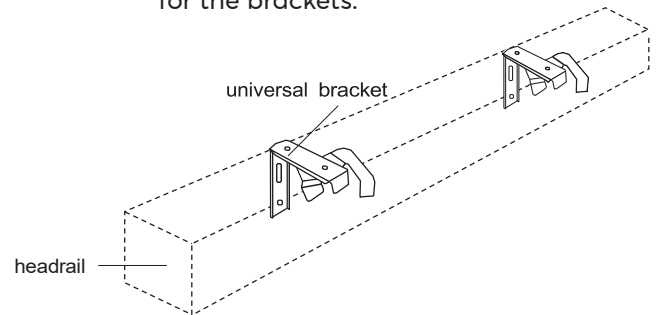
Step 1. Mounting brackets

1. The brackets should be positioned approximately 9" in from each end of the headrail. If necessary, adjust the position of the brackets to avoid interfering with the operating components inside the headrail.
2. Using 2 screws per bracket, fasten the brackets to the mounting surface. Leave brackets in open position.



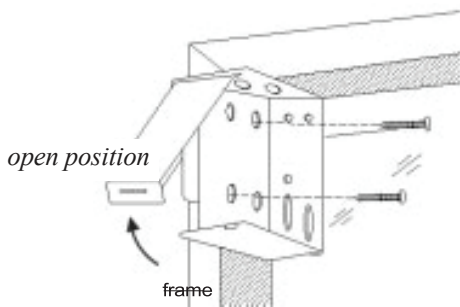
If using universal brackets

Mark approximately 9" away from each end of the headrail for the brackets.



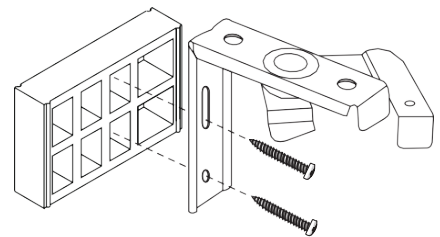
If using box brackets

Inside mount – mount brackets in the corners of the frame.

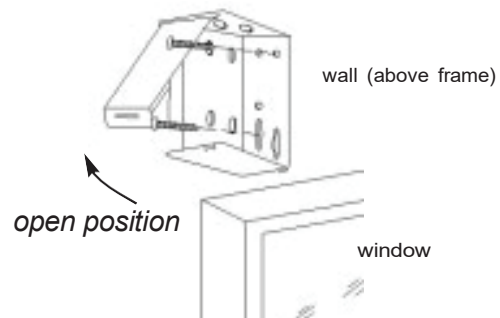
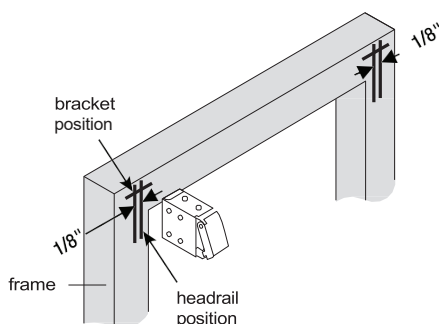


Note:

If you ordered spacer blocks, apply as illustrated.

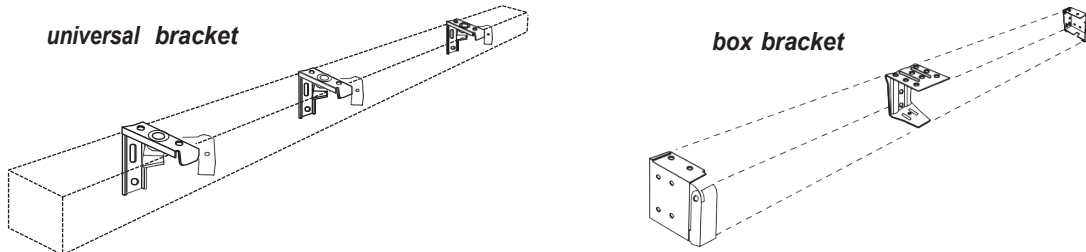


Outside mount - outside edge of the bracket should be positioned 1/8" to outside of the headrail end mark. Mark position of the bracket as illustrated.



Step 2. Mounting center support brackets (only for blinds over 44" wide)

1. When only one center support bracket is provided, position the center bracket in the center of the two mounting brackets. The center bracket can be 2" to 3" to the right or left of center to make sure it does not interfere with mechanical components of your blind.



If more than one center support bracket is provided, they should be spaced evenly between the two mounting brackets.

2. Using 2 screws per bracket, fasten the bracket(s) to your window frame or wall.
For inside mount, use the top holes. For outside mount, use the back holes.

Step 3. Installing the wand (only if you have ordered a wand tilter)

1. Lift the clear plastic cover (2) up from the tip of the wand tilter and remove the hook (3). see fig. A
2. Clip the plastic cover over the metal wand tilter stem and place the hook through the eyelet of the metal tilter stem. see fig. B.
3. Fit the hook into the holes at the top of the wand (4) and slide the clear plastic cover down the stem to secure hook into the eyelet. see fig. C.
4. Using the cord tassels to let the blind down and turn the wand to test if the wand is installed properly.

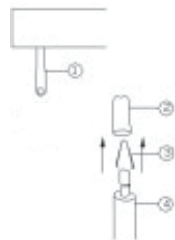
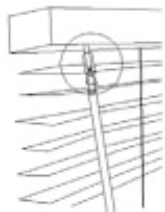


fig. A

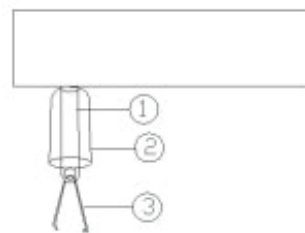


fig. B

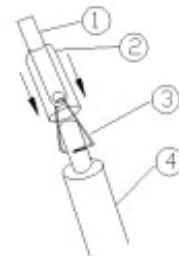


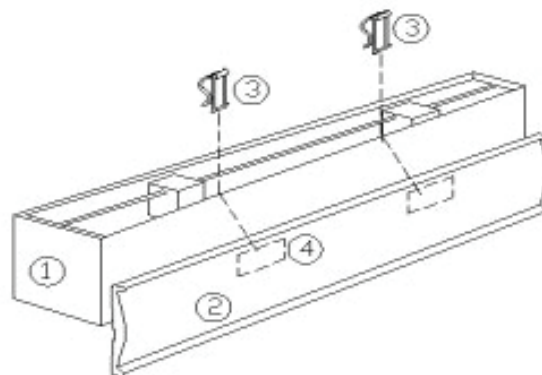
fig. C

Step 4. Installing the blind into the brackets (most natural wood blinds)

(for most blinds, 2 people are required for this step)

Your blinds come with protective wrap on the headrail. It is at your discretion to keep it or remove it. It will not affect the look after the installation is completed.

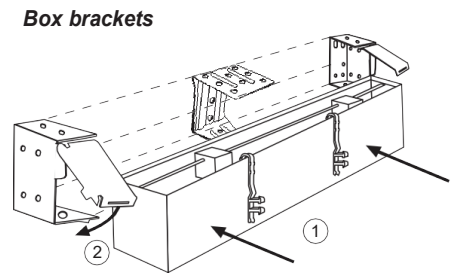
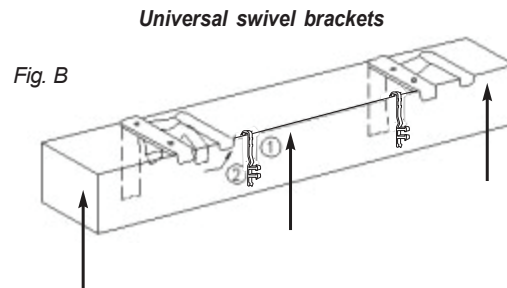
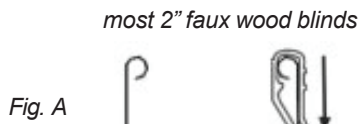
1. Hold the valance (2) up to the headrail (1) to determine the position of the valance clips (3).
The clips should align to the stapled plastic plates (4) on the back of your valance.



Step 4 (cont). Installing the blind into the brackets

(for most blinds, 2 people are required for this step)

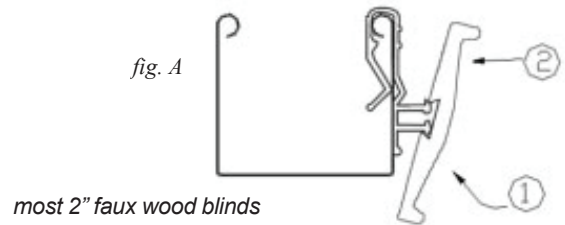
- Important step** (Fig. A) Clip the valance clips onto the headrail. **DO NOT** attach valance at this time.



- (Fig. B) Make sure the blind is in closed position to make this step easier. Fit the headrail (1) into the brackets and close the swing flaps (2).

Step 5. Attaching the valance

Hold the valance up to the headrail and clip the valance to the valance clips as illustrated in fig. A, B or C.

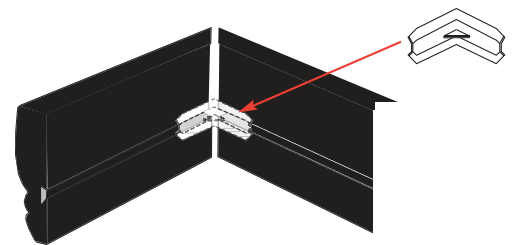


Step 6. Installing the valance side returns

(if not pre-glued)

(if you ordered for outside mount installation)

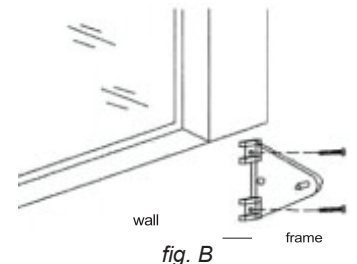
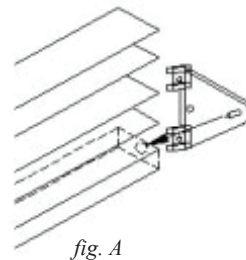
- Locate the channel on the back of the valance and one side return, inserting the plastic 'L' clip in each mitered edge.
- Repeat with other side return, making sure they fit snugly together.
- Install assembled valance as illustrated in Step 5 on page 5



Step 7. Installing hold down brackets

(only if you have ordered hold down brackets)

- Lower the blind to the desired height.
- Position the hold down bracket to align the tab to pre-drilled hole in the bottom rail (see fig. A).
- Mount the bracket using the two screws provided (see fig. B). Insert the tab into the pre-drilled hole. To raise or lower the blind, release the bottom rail from the brackets by pulling the bracket away from the bottom rail.



IMPORTANT

Operating & Care Instructions for Cordless Blinds READ CAREFULLY

Always rotate the slats to the "open" horizontal position before raising or lowering. This assures smooth operation and increases the life of the blind.

To lower the blind pull down on the bottom rail with one hand gripping it near the middle or with both hands grabbing the bottom rail at the equal distance from the center. Once released, shade will stay in place at desired height.

To raise the blind: Push up on the bottom rail near the center to reach desired height. Once released, shade will stay in place.

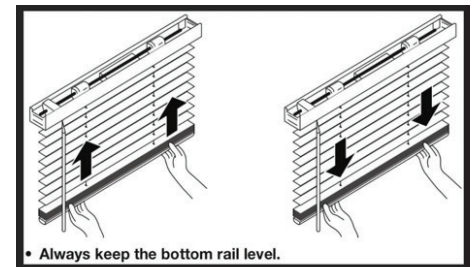
To maintain optimal performance of the springs that make your cordless blind function, lift and lower your blind through its full range of motion - all the way up and all the way down

As frequently as possible

Always raise and lower the blind **SLOWLY(!)** to assure that the slats stack neatly.

To lower the shade: grip the bottom rail with both hands and slowly pull straight down.

To raise the shade, put both hands under the bottom rail and push up slowly.



— STRANGULATION HAZARD —
Young children can be strangled by cords. Immediately remove this product if a cord longer than 22 cm or a loop exceeding 44 cm around becomes accessible.