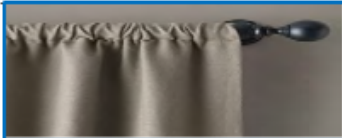

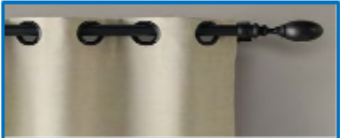











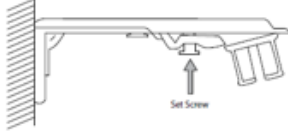
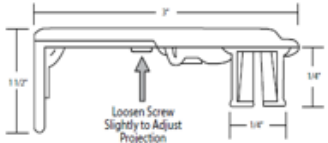
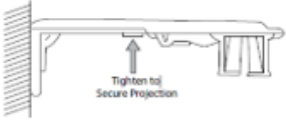
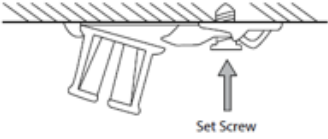
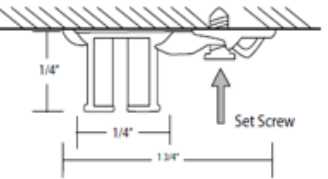
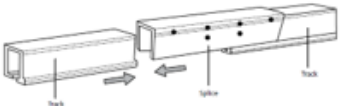


<p>Specifications: Instructions installation hardware of drapery</p>	<p>Product: <u>Drapery</u> Model: Hardware to <u>Ceiling / Wall</u></p>	<p>DATE: OCT / 02 / 17</p>	<p>IN-PR 3 053 Review 01</p>			
<p>STYLES</p>	<p>STYLES</p>					
<p>1.-Based on your drapery measurement and style, we will custom-size the appropriate rods and brackets for each window, and offer you a choice of hardware finishes, finials and bracket. If you select drapery with snaps and ball bearings, your custom hardware will include number of components will require. Our drapery is tailored from the finest fabrics, and available in your choice of 4 styles: Rod Pocket, French Pleat and Parisian Pleat, Grommet or Ripple Fold:</p> <p>ROD POCKET</p> <ul style="list-style-type: none"> • Features a fabric casing along the top that can be slipped over a rod when using the drapery without hooks or rings; can also be used with drapery rings. For ease of opening and closing, use a drapery rod and rings. • We recommend using 7 drapery rings to hang each 20 inches of rod pocket panel. • Clip rings can be used with lighter-weight rod pocket drapery. For heavier, lined drapery, choose drapery hooks and loop rings. 	<p>FRENCH PLEAT</p> <ul style="list-style-type: none"> • Also referred to as "pinch pleat," this is our most traditional style. The pleats are stiffened with buckram, providing a clean, crisp and classic aesthetic. Available in 2-fold and 3-fold pleat styles. • We recommend using 7 drapery loop rings to hang each 20 inches of French pleat panel. Drapery hooks are pre-installed for convenience.  <p>GROMMET</p> <ul style="list-style-type: none"> • Our most casual option, with metal eyelets (grommets) applied to the top of each panel. Drapery rings are not needed as the grommets are designed to move smoothly along the drapery rod. • Available in 4 grommet finish options: Satin Nickel, Chrome, Polished Brass and Black. 	<table border="1"> <tr> <td data-bbox="1008 1062 1154 1110"> <p>Elaborado por: Barraza / Gomez</p> </td> <td data-bbox="1154 1062 1341 1110"> <p>Autorizado por: Ing. Zaid Montoya</p> </td> <td data-bbox="1341 1062 1424 1110"> <p>Página: 1/4</p> </td> </tr> </table>		<p>Elaborado por: Barraza / Gomez</p>	<p>Autorizado por: Ing. Zaid Montoya</p>	<p>Página: 1/4</p>
<p>Elaborado por: Barraza / Gomez</p>	<p>Autorizado por: Ing. Zaid Montoya</p>	<p>Página: 1/4</p>				

Specifications: Instructions installation hardware of drapery	Product: <u>Drapery</u> Model: Hardware to <u>Ceiling / Wall</u>	DATE: OCT / 02 / 17	IN-PR 3 053 Review 01	
COMPONENTS	COMOPONENTS	COMPONENTS		
<p style="text-align: center;"><u>"ACCESSORIES OF HARDWARE BY DRAPERY"</u></p> <p style="text-align: center;">DRAPERY RODS</p>  <p style="text-align: center;">BRACKETS</p>  <p style="text-align: center;">BALL BEARINGS</p> 	<p style="text-align: center;"><u>"ACCESSORIES OF HARDWARE BY DRAPERY"</u></p> <p style="text-align: center;">FRICIONS SLIDES</p>  <p style="text-align: center;">MASTER CARRIERS</p>  <p style="text-align: center;">DRAPERY BATONS</p> 	<p style="text-align: center;"><u>"ACCESSORIES OF HARDWARE BY DRAPERY"</u></p> <p style="text-align: center;">SHOULDER SCREWS</p>  <p style="text-align: center;">MASTER CARRIERS</p>  <p style="text-align: center;">END CAP</p> 		
		Elaborado por: Barraza / Gomez	Autorizado por: Ing. Zaid Montoya	Página: 2/4

<u>Specifications:</u> Instructions installation hardware of drapery	<u>Product:</u> Drapery <u>Model:</u> Hardware to Ceiling / Wall	<u>DATE:</u> OCT / 02 / 17	<u>IN-PR 3 053</u> <u>Review 01</u>	
<p align="center">OPERATION</p>	<p align="center">OPERATION</p>	<p align="center">OPERATION</p>		
<p><u>INSTALLING WALL-MOUNT DRAPERY HARDWARE:</u></p> <p>1.-Determine the height of the top of track and mark bracket height on the wall for all brackets, adjusting as necessary to make sure they are all level.</p> <p>2.-Measure the width of the track and mark the 2 end-brackets approximately 3"- 4" in from the ends of the track. Evenly space the remaining brackets and place corresponding marks. For heavy drapery, keep the brackets spaced tightly to prevent sagging.</p>  <p>3. To attach the bracket to the wall, first pre-drill holes for screw diameter when mounting into wood frame of window or wall stud. Otherwise, pre-drill and install anchors first before fastening with screws.</p>	<p><u>INSTALLING WALL-MOUNT DRAPERY HARDWARE:</u></p>  <p>4. Place the track into the bracket as shown in the drawing; apply pressure until track "clicks" into bracket. Make sure track set screw is loose enough to allow the track retainer to flex. Repeat this step for the remaining brackets.</p>  <p>5. Tighten track set screws on all the brackets to secure track to brackets.</p> <p>6. Adjust track to the desired projection. Projection is adjustable from 3"-4 1/2". Repeat this step for the remaining brackets.</p>	<p><u>INSTALLING WALL-MOUNT DRAPERY HARDWARE:</u></p>  <p>7. Once desired projection is set for all the brackets, lock the bracket into position by tightening the track depth adjustment set screw (see drawing below).</p> 		
		Elaborado por: <u>Barraza / Gomez</u>	Autorizado por: <u>Ing. Zaid Montoya</u>	Página: 3/4

<u>Specifications:</u> Instructions installation hardware of drapery	<u>Product:</u> Drapery <u>Model:</u> Hardware to Ceiling / Wall	<u>DATE:</u> OCT / 02 / 17	<u>IN-PR 3 053</u> <u>Review 01</u>
OPERATION	OPERATION	OPERATION	
<p style="text-align: center;"><u>INSTALLING CEILING-MOUNT DRAPERY HARDWARE:</u></p> <p>1.-Measure the width of the track and mark the 2 end-brackets approximately 3"- 4" in from the ends of the track.</p> <p>Evenly space the remaining Brackets and place corresponding marks.</p> <p>2. To attach the bracket to the ceiling, first pre-drill holes for screw diameter when mounting into wood frame of window or stud.</p> <p>Otherwise, pre-drill and install anchors first before fastening with screws.</p> <p>3. Place the track into the bracket, applying pressure until track "clicks" into bracket.</p> <p>Make sure track set screw is loose enough to allow the track retainer to flex. Repeat this step for remaining brackets.</p>	<p style="text-align: center;"><u>INSTALLING CEILING-MOUNT DRAPERY HARDWARE:</u></p>  <p>4.-Tighten track set screws on all the brackets to secure track to brackets.</p> 	<p style="text-align: center;"><u>INSTALLING CEILING-MOUNT DRAPERY HARDWARE:</u></p> <p>NOTE:</p> <ul style="list-style-type: none"> • Tracks greater than 104" will come as two pieces • Tracks greater than 208" will come as three pieces • Tracks greater than 312" will come as four pieces • Slide the track of the connecting ends into the Splice and butt ends together, ensuring the joint is centered between the 2 lower set screws. 	
Elaborado por: Barraza / Gomez		Autorizado por: Ing. Zaid Montoya	Página: 4/4