

ROMAN SHADE WITH CORD CONTROL INSTALLATION INSTRUCTIONS

Mounting hardware includes

A. Mounting Brackets (1"x1")

- 2 ct. (shades up to 36" wide)
- 3 ct. (shades 36" to 54" wide)
- 4 ct. (shades 54" to 84" wide)
- 5 ct. (shades 84" to 120" wide)
- 6 ct. (shades 120" to 154" wide)
- 7 ct. (shades 154" to 196" wide)

Note: brackets are for Outside Mount installation only

Note: for brackets (2"x2", 3"x3", 5"x5") multiply both screw counts by 2; for brackets (6"x8") multiply 3/4" screw count by 3 and 1 1/2" screw count by 4

B. 3/4" Screws (Shade-to-Bracket)

- 2 ct. (shades up to 36" wide)
- 3 ct. (shades 36" to 54" wide)
- 4 ct. (shades 54" to 84" wide)
- 5 ct. (shades 84" to 120" wide)
- 6 ct. (shades 120" to 154" wide)
- 7 ct. (shades 154" to 196" wide)

Note: 3/4" screws are for Outside Mount installation only

C. 1 1/2" Screws (Bracket-to-Wall)

- 2 ct. (shades up to 36" wide)
- 3 ct. (shades 36" to 54" wide)
- 4 ct. (shades 54" to 84" wide)
- 5 ct. (shades 84" to 120" wide)
- 6 ct. (shades 120" to 154" wide)
- 7 ct. (shades 154" to 196" wide)

Note: For Inside Mounts, screws will be 2"

INSTALLATION

If installing on wallboard or plaster, use anchors designed for hollow walls. If installing on concrete, stone, or brick, use a masonry drill bit and anchors (or screws) designed for masonry.

NOTE: A second set of hands will make installation much easier.

TOOLS REQUIRED

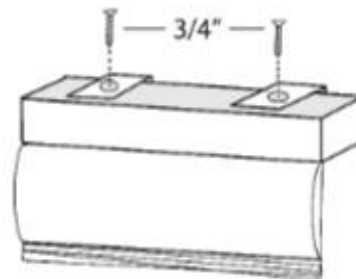
Pencil, tape measure, level, screw driver, step stool, drill and drill bits

FOR OUTSIDE MOUNTING

For shades, smaller than 36" wide, each bracket should be positioned about 4" from each end of the head rail. For wider shades that require more than 2 brackets, they should be spaced evenly between the

outermost brackets. It is recommended that you hold the shade and mark the desired bracket locations so the brackets do not interfere with the cord guides or cord lock as to not interfere with the shade's movement.

For the best results, use a level to assure proper alignment. Pre-drill the mounting holes using a " drill bit, then screw the brackets in place, using the 1 1/2" screws. Place the head rail against the brackets and center the shade over the window opening, then mark the location of each mounting hole on the head rail. Puncture the fabric at the hole locations, then pre-drill the mounting holes using a " drill bit. Attach the shade to the brackets using the 3/4" screws provided.

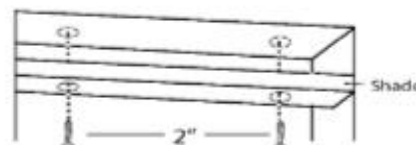


Outside Mounting

FOR INSIDE MOUNTING

Mounting holes come pre-drilled in the head rail. Screw the 2" screws into the head rail until the screws protrude very slightly out from the top of the head rail. Position and center the shade over the window opening and carefully push up on the desired position so the screws leave a small indentation. Use the indentations as a guide and pre-drill the mounting holes using a " drill bit. Screw the shade in place.

ATTACH THE SAFETY CORD GUIDE



Inside Mount

The cord guide must be installed correctly in order

for the shade to perform properly. The Cord Guide is pre-attached to the Cord Control, and must be attached to either the inside or the outside of the window opening (to the window frame or the wall). The base of the Cord Guide can be attached vertically, horizontally or at an angle. The 'U' shaped guide the chain passes through swivels to allow smooth operation.

Attach the Cord Guide using the 1 ½" screws. If mounting on to a solid surface, pre-drill the screw holes using a ½" drill bit. If mounting to hollow drywall, use a ¼" drill bit to place the wall anchors provided. Install the Cord Guide such that the cord hangs loosely (do not put tension on the bead chain) so that the Cord Connector will pass through the Cord Guide easily. Do not twist or cross the Bead Chain.

In order to position the base properly, adjust the chain so the Cord Guide is at the bottom of the chain loop and let it hang freely through the 'U' channel. Hold the base of the Cord Guide against the wall or window frame and then move it upward at least ¼" and mark the locations of the screw holes with a pencil. Screw the base of the Cord Guide in the surface (wall or window frame).

HOW TO OPERATE CORD CONTROL SHADES

Pulling gently on the bead chain/cord in one direction raises the shade. Pulling it in the opposite direction lowers it. On forward facing shades, the rear cord lifts the shade, and vice versa.

CARE INSTRUCTIONS

The packaging and shipping of soft treatments frequently results in minor wrinkling of the fabric. Please allow the items to hang for a few days so the wrinkles may relax and begin to fall out. There are different characteristics and handling needs for the variety of fabrics that are offered. Use a feather duster, good quality steamer, or vacuum lightly, with an upholstery attachment, to clean the fabric. Cotton, Polyester, Cotton/Poly blends, and Linen may be spot cleaned with warm soapy water using a mild detergent and a clean sponge. Apply to soiled areas and allow to air dry.

Please locate a professional upholstery cleaning service for more extensive cleaning.

ROMAN SHADE INSTALLATION INSTRUCTION

Mounting hardware includes

A. Mounting Brackets (1"x1")

- 2 ct. (shades up to 36" wide)
- 3 ct. (shades 36" to 54" wide)
- 4 ct. (shades 54" to 84" wide)
- 5 ct. (shades 84" to 120" wide)
- 6 ct. (shades 120" to 154" wide)
- 7 ct. (shades 154" to 196" wide)

Note: brackets are for Outside Mount installation only

Note: for brackets (2"x2", 3"x3", 5"x5") multiply both screw counts by 2; for brackets (6"x8") multiply 3/4" screw count by 3 and 1 1/2" screw count by 4

B. 3/4" Screws (Shade-to-Bracket)

- 2 ct. (shades up to 36" wide)
- 3 ct. (shades 36" to 54" wide)
- 4 ct. (shades 54" to 84" wide)
- 5 ct. (shades 84" to 120" wide)
- 6 ct. (shades 120" to 154" wide)
- 7 ct. (shades 154" to 196" wide)

Note: 3/4" screws are for Outside Mount installation only

C. 1 1/2" Screws (Bracket-to-Wall)

- 2 ct. (shades up to 36" wide)
- 3 ct. (shades 36" to 54" wide)
- 4 ct. (shades 54" to 84" wide)
- 5 ct. (shades 84" to 120" wide)
- 6 ct. (shades 120" to 154" wide)
- 7 ct. (shades 154" to 196" wide)

Note: For Inside Mounts, screws will be 2"

D. Cord Cleat

- 1 ct. (includes 3/4" screws)

INSTALLATION

If installing on Wallboard or Plaster, use anchors designed for hollow walls.

If installing on Concrete, Stone, or Brick, use a masonry drill bit and anchors (or screws) designed for masonry.

NOTE: A second set of hands will make installation much easier.

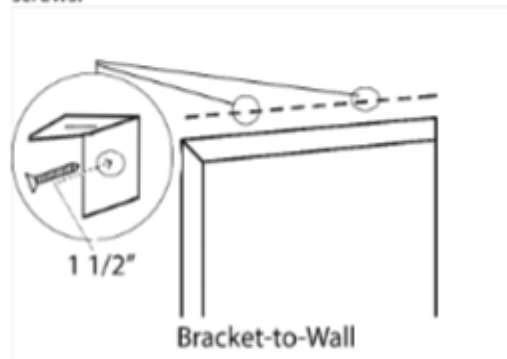
TOOLS REQUIRED

Pencil, tape measure, level, screw driver, step stool, drill and drill bits

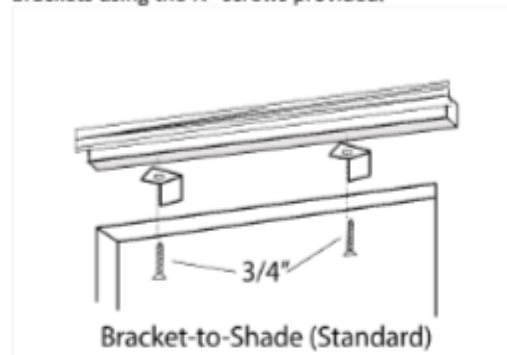
FOR OUTSIDE MOUNTING

For shades, smaller than 36" wide, each bracket should be positioned about 4" from each end of the head rail. For wider shades that require more than 2 brackets, they should be spaced evenly between the outermost brackets. It is recommended that you hold the shade and mark the desired bracket locations so the brackets do not interfere with the cord guides or cord lock as to not impede the shade's movement.

For the best results, use a level to assure proper alignment. Pre-drill the mounting holes using a 1/2" drill bit, then screw the brackets in place, using the 1 1/2" screws.

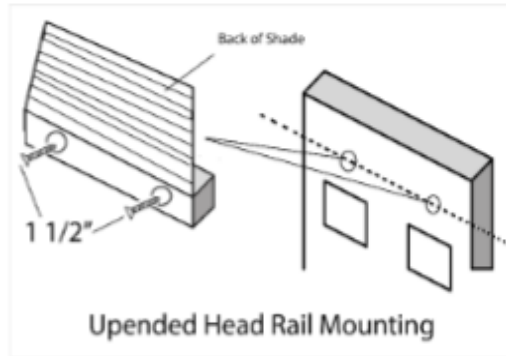
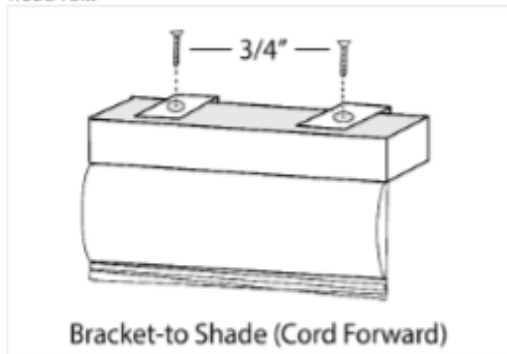


For standard shades, with the lift cords hidden behind the shade, place the head rail on top of the brackets and centered over the window, and mark the location of each of the mounting holes on the fabric of the head rail. Puncture the fabric at each location and pre-drill at the hole locations using a 1/2" drill bit. You may now attach the shade to the brackets using the 3/4" screws provided.



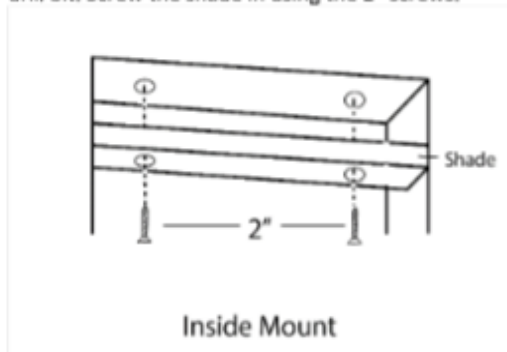
For cord-forward shades, the screws attach to the top of the head rail. Hold the shade up against the inner top of the brackets and mark the locations as

described above. Drive the screws into the top of the head rail.



FOR INSIDE MOUNTING

Inside mounts come pre-drilled, so brackets are not necessary. Center the front of the shade over the window opening, and hold the shade cloth up and over the rail to pre-drill the mounting holes using a 1/2" drill bit. Screw the shade in using the 2" screws.



FOR OUTSIDE MOUNTING WITH UPENDED HEAD RAIL

Mounting holes are pre-drilled in the head rail, so brackets are not necessary. Position the shade over the window opening, using a level as necessary to assure proper alignment. Hold the shade cloth up and over the head rail, and then pre-drill the mounting holes using a 1/2" drill bit. Use the 1 1/2" screws to fasten the shade.

CORD CLEAT

Attach the cord cleat to the wall or window frame using the screws provided. Position the cord cleat high enough so that it is beyond the reach of small children.

When the shade is raised or partially raised, the lift cord should be secured around the cord cleat.

HOW TO OPERATE

To raise or lower the shade, pull the lift cord slightly to release the cord lock. Adjust the shade to the desired height, then move the lift cord slightly to the outside of the shade to lock it in place.

CARE INSTRUCTIONS

The packaging and shipping of soft treatments frequently results in minor wrinkling of the fabric. Please allow the items to hang for a few days so the wrinkles may relax and begin to fall out. There are different characteristics and handling needs for the variety of fabrics that are offered. Use a feather duster, good quality steamer, or vacuum lightly, with an upholstery attachment, to clean the fabric. Cotton, Polyester, Cotton/Poly blends, and Linen may be spot cleaned with warm soapy water using a mild detergent and a clean sponge. Apply to soiled areas and allow to air dry.

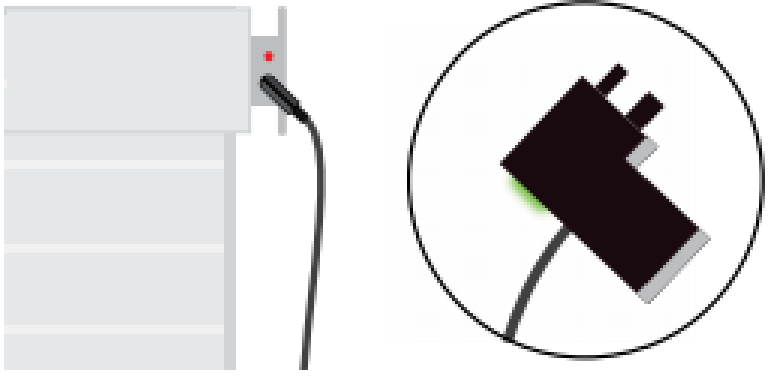
Please locate a professional upholstery cleaning service for more extensive cleaning.

AUTOMATE WIRFREE S35 MOTOR

HOW TO CORRECTLY CHARGE YOUR MOTOR

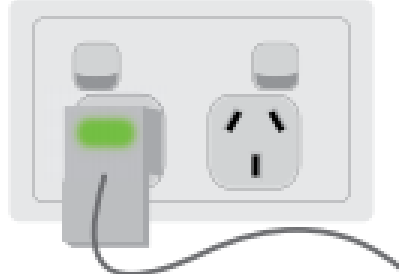
STEP 1

Plug charger into motor
A green light will appear, this confirms connection is made between motor & charger.



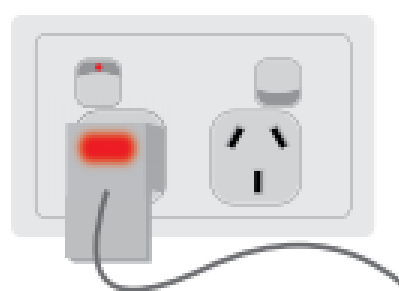
STEP 2

Plug charger into power point.
Note: Light on charger remains green



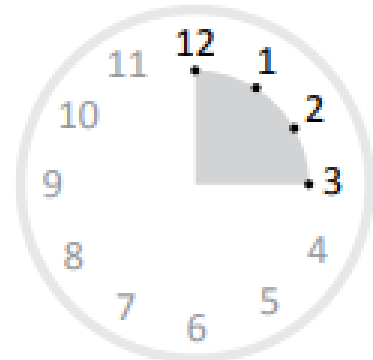
STEP 3

Turn power ON
Note: Light on charger turns red (this indicates motor is charging)



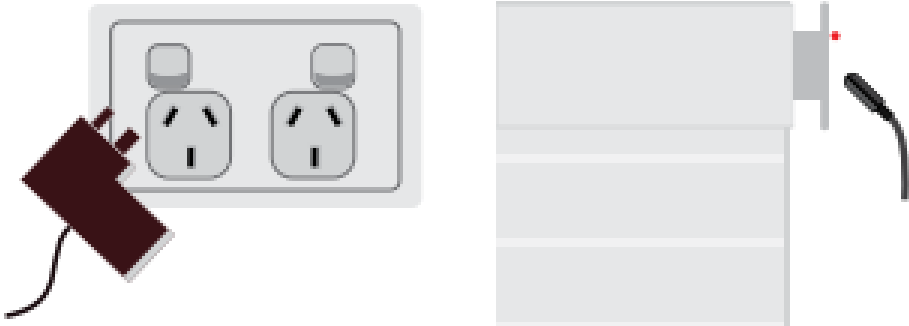
STEP 4

Leave on charge for 3 hours.
Light should be green before proceeding to Step 5.



STEP 5

Turn power OFF and remove charger from power point & motor.



Level 3 Industries
1-844-521-8048
BlindsCS@level3Industries.com