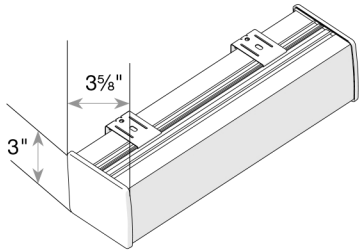


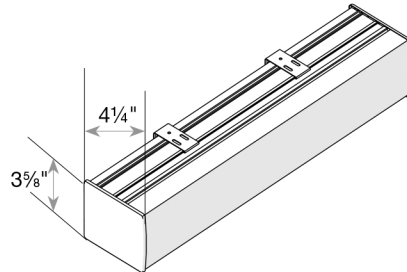
## Size Considerations

### Enclosed Loop, Continuous Loop, Motorized Lift, Dual Shade, and Enclosed Loop Dual Shade: Mounting Depth Illustrations

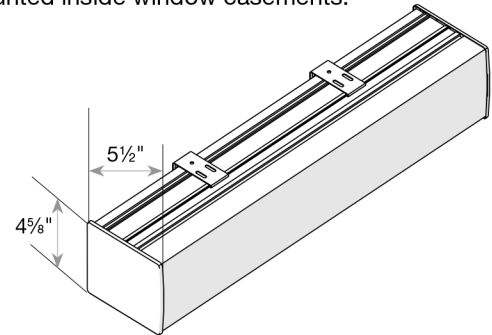
The following diagrams illustrate the mounting depth requirements for shades mounted inside window casements.



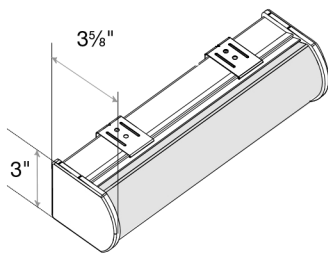
Small Square Cassette Valance  
1 3/8" Minimum Inside Mount



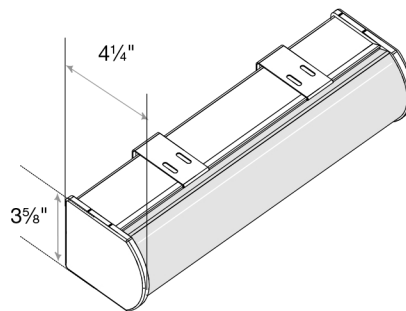
Medium Square Cassette Valance  
1 3/4" Minimum Inside Mount



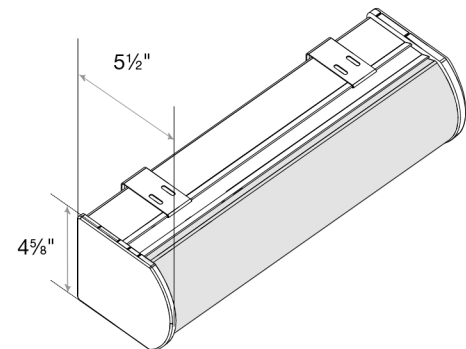
Large Square Cassette Valance  
1 3/4" Minimum Inside Mount



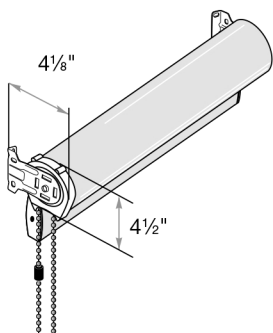
Small Round Cassette Valance  
1 3/8" Minimum Inside Mount



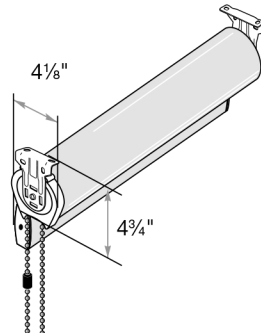
Medium Round Cassette Valance  
1 3/4" Minimum Inside Mount



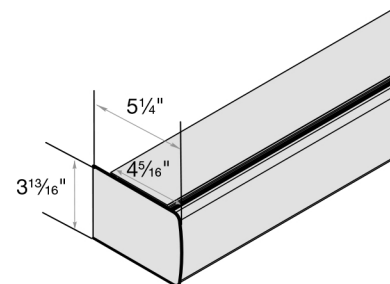
Large/Dual Round Cassette Valance  
1 3/4" Minimum Inside Mount



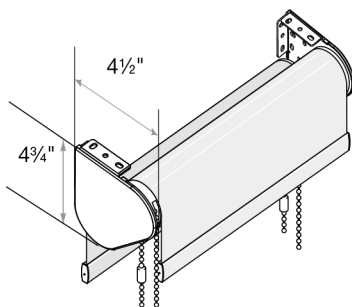
No Valance\*  
3/4" Minimum Inside/Side Mount



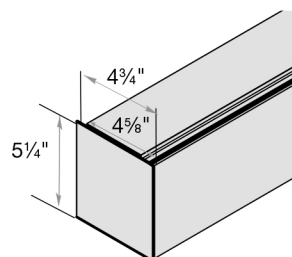
No Valance\*  
4 1/8" Minimum Inside/Top Mount



Contour Valance  
3 1/2" Minimum Inside Mount  
(return can be trimmed)



Dual Shade—No Cassette Valance  
2" Minimum Inside/Top Mount  
3/4" Minimum Inside/Side Mount

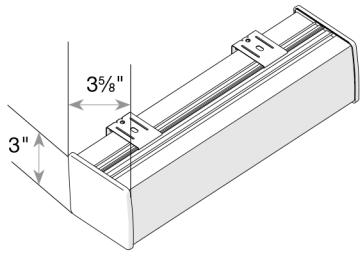


Flat Valance  
2 15/16" Minimum Inside Mount  
(return can be trimmed)

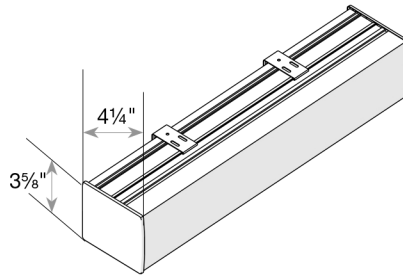
# Size Considerations

## EasyTouch Cordless Lift: Mounting Depth Illustrations

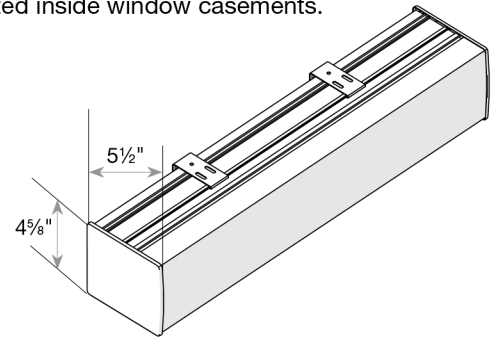
The following diagrams illustrate the mounting depth requirements for shades mounted inside window casements.



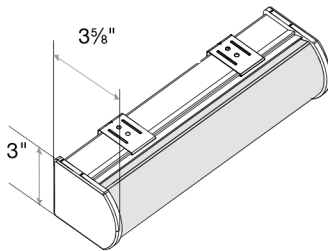
Small Square Cassette Valance  
1 5/8" Minimum Inside Mount



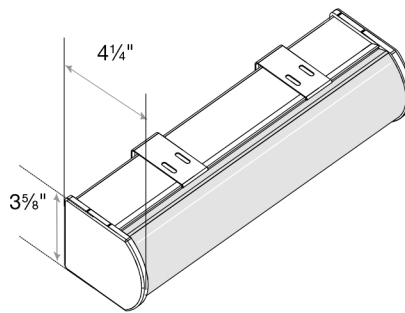
Medium Square Cassette Valance  
1 3/4" Minimum Inside Mount



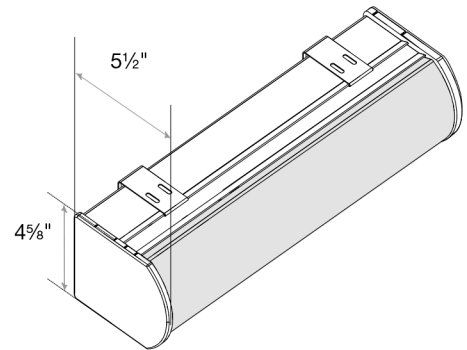
Large Square Cassette Valance  
1 3/4" Minimum Inside Mount



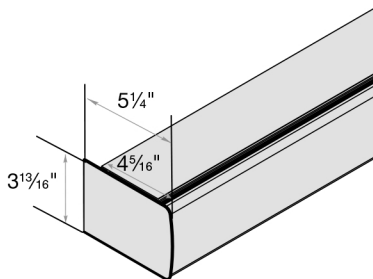
Small Round Cassette Valance  
1 5/8" Minimum Inside Mount



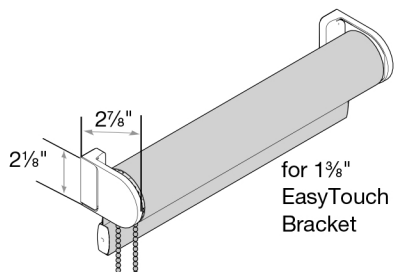
Medium Round Cassette Valance  
1 3/4" Minimum Inside Mount



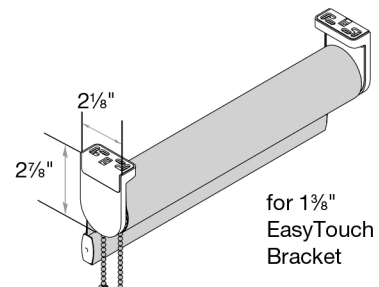
Large Round Cassette Valance  
1 3/4" Minimum Inside Mount



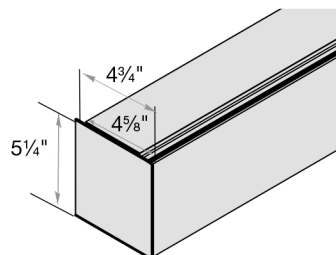
Contour Valance  
3 1/2" Minimum Inside Mount  
(return can be trimmed)



No Valance\*  
3/4" Minimum Inside/Side Mount



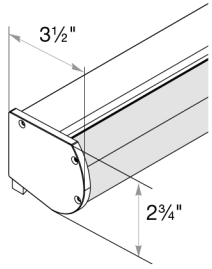
No Valance\*  
Minimum Inside/Top Mount is  
equal to 1/2 the roll diameter, plus 1 1/2"



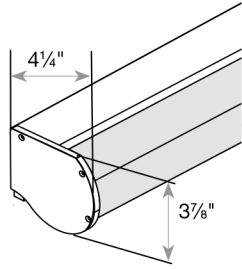
Flat Valance  
2 15/16" Minimum Inside Mount  
(return can be trimmed)

# Options

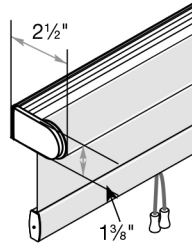
## Cordless Lift: Mounting Depth Illustrations



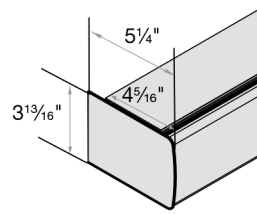
Small Cassette Valance  
1 1/2" Minimum  
Inside Mount



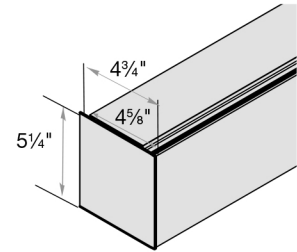
Medium Cassette Valance  
1 3/4" Minimum  
Inside Mount



No Valance\*  
2" Minimum  
Inside Mount



Contour Valance  
3 1/2" Minimum  
Inside Mount  
(return can be trimmed)



Flat Valance  
2 15/16" Minimum Inside Mount  
(return can be trimmed)

\*Largest possible measurement given will vary per fabric and window dimensions.