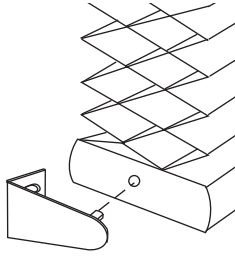


## OPTIONAL HOLD DOWN BRACKETS

Optional Hold Down Brackets are mounted with the supplied screws. With the shade at its proper drop, place the pin of each Hold Down into the hole in each End Cap and mark the screw holes. Make sure the pins are level and aligned. Raise the shade, then screw the Hold Down Bracket into the mounting surface.

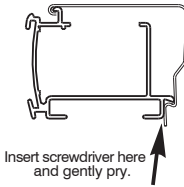


## REMOVING THE HEADRAIL

To remove a shade, insert a screwdriver between the headrail and the bottom back of the bracket (tab which extends out slightly from each bracket).

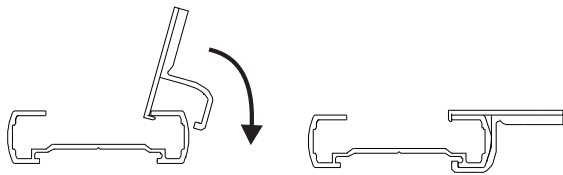
Gently pry the screwdriver to release the bracket from the headrail. Take care not to damage the painted finish of the headrail.

As you release the brackets, support the headrail to keep it from falling.



## INSTALLING THE HANDLE

Locate the center of the bottom rail. Gently lift fabric out of the way. Hook the top of the handle over the front lip on the bottom rail. Rotate handle down until it snaps into place.



## CLEANING AND CARE

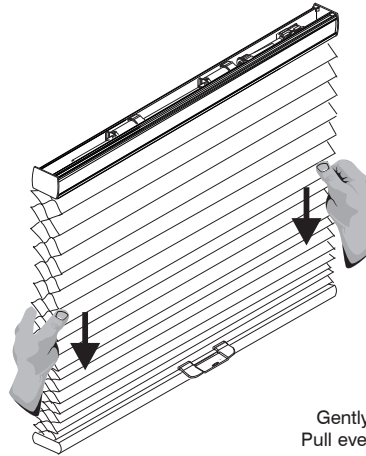
The Honeycomb fabric is easy to care for. Regular dusting with a feather duster or vacuum cleaner brush is recommended. Most stains can be blotted with a damp sponge and mild detergent. **IMPORTANT: Do Not immerse headrail in water.** When damp, raise shade tightly to re-crisp pleats. Before using anything stronger than mild detergent and lukewarm water, test an unobtrusive corner of the shade. If you have any questions, call your dealer for advice.

## TROUBLE SHOOTING

**Problem:** Shade will not stay down.

**Cause:** Because the shade was fabricated primarily in the closed position, the fabric may want to spring up.

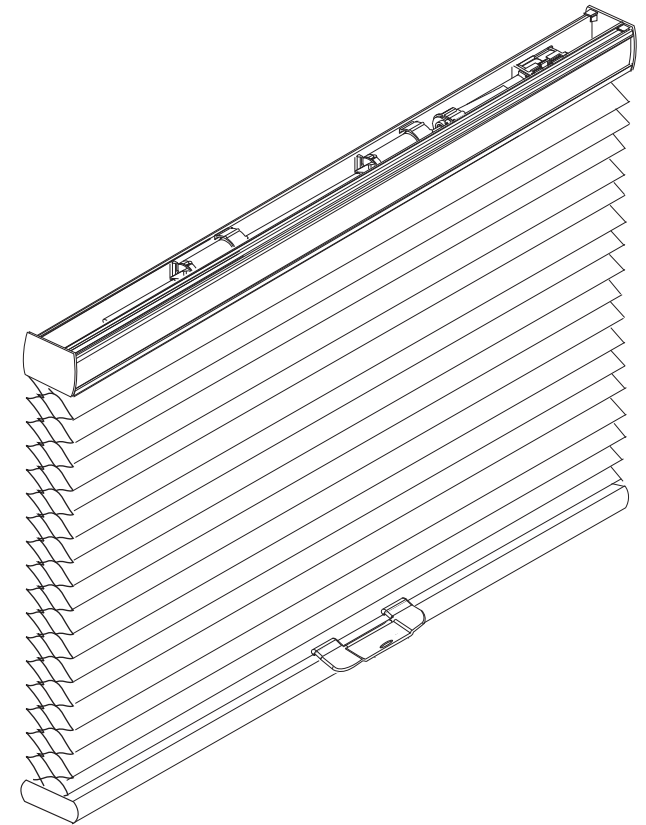
**Repair:** Gently pull down on a section of cells to relax the pleats (see diagram below). Repeat with another section of cells until the fabric is sufficiently relaxed. Do not tightly stack the shade for 24 hrs.



Gently stretch Fabric.  
Pull evenly on each side.

# DELUXE CORDLESS

## Installation Instructions



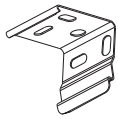
Please take a few minutes to read through these instructions before beginning.

## BASICS

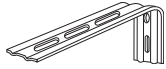
A few simple tools are required:

- Measuring tape
- Power drill, drill bits
- Hex head and/or Phillips driver bit
- Pencil

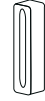
Additional fasteners other than those sent with your shade may be required depending on the mounting surface. Wallboard and plaster require the use of anchors such as expansion or toggle bolts. Brick, tile or stone need special plugs and drill bits. Remember to always pre-drill holes in wood to avoid splitting.



Standard Mounting Bracket



Optional Extension Bracket



Optional Spacer Block



Optional Hold Down Bracket

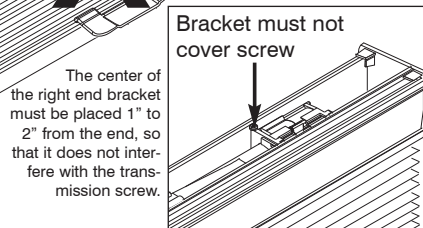
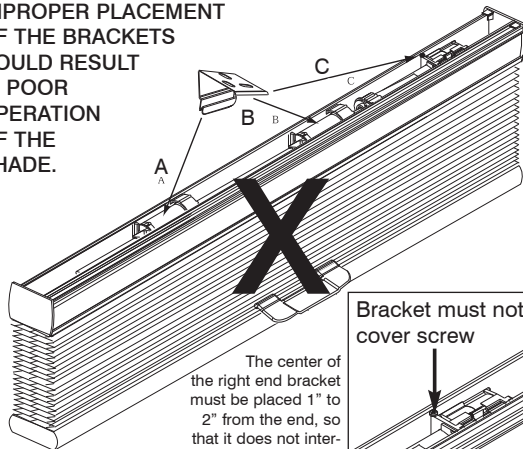
## BRACKET INSTALLATION

Shades are shipped with the required number of brackets for proper installation. End brackets should be located to the outside of the cord spools. Depending on the width of the shade, additional brackets may be necessary, evenly spaced between the two end brackets.

For shade widths of:	Use this Number of brackets:
Up to 40"	2
40"-72"	3
72" - 84"	4
84" and up	5

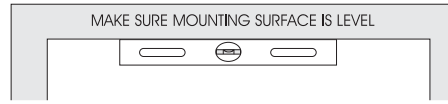
Do Not place installation brackets over clear plastic spool covers (a & b) or over the transmission screw (c).

IMPROPER PLACEMENT OF THE BRACKETS COULD RESULT IN POOR OPERATION OF THE SHADE.



Using the Installation Bracket as a template, measure to the edge of the bracket and mark the hole locations with a pencil for drilling. When mounting brackets, make sure they are in line and level.

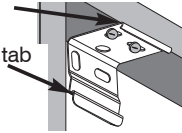
Brackets must be in line and level. Shim brackets on inside mounts if necessary. The headrail must be level for the shade to operate properly.



### Inside or Ceiling Mounts

Use the top bracket holes.

Top Hook

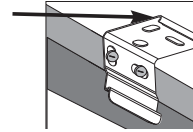


Note: Release tab is always the bottom of the bracket

### Wall or Outside Mounts

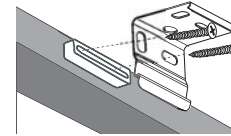
Use the rear bracket holes.

Top Hook

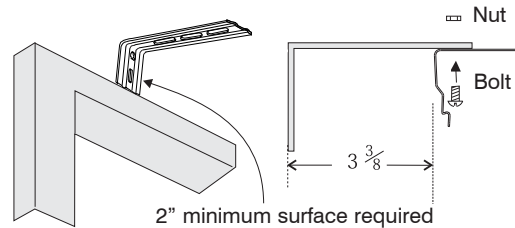


### Outside Mount with Spacer Block

Optional Spacer block will project bracket 3/8".



### Outside Mount with Extension Bracket

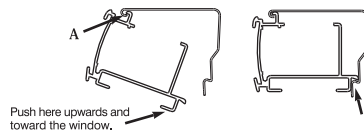


## INSERTING THE HEADRAIL

First, lower the bottom rail about an inch. This will help keep the fabric from getting caught between the brackets and the headrail.

Position the headrail with the front lip (A) resting on the top hooks of all the brackets. Make sure that no fabric is pinched between the brackets and the headrail.

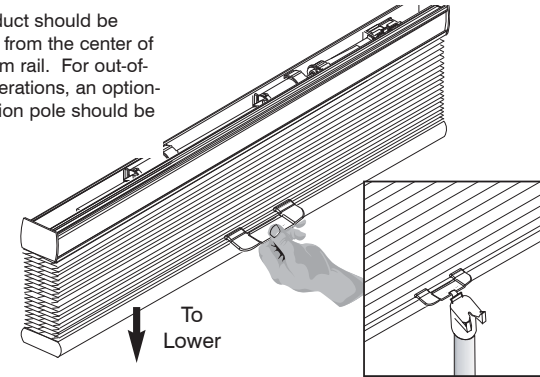
Push the bottom of the headrail firmly upwards and toward the window until the groove at the bottom of the headrail snaps into place, (B) as shown.



## OPERATION

To lower the shade, pull down on the handle which is secured to the bottom rail. To raise the shade, push the bottom rail up. The shade will hold at any position when the bottom rail is released.

This product should be operated from the center of the bottom rail. For out-of-reach operations, an optional extension pole should be used.



This product should be operated from the center of the bottom rail. For out-of-reach operations, an optional extension pole should be used. Be sure to raise the shade slowly and steadily to allow the shade enough time to stack evenly. Use handle when raising and lowering shade for better support and smoother operation.

