

## Installation & Maintenance Instructions



### Getting Started




Remove the blind from the package. Be sure to keep the packaging until the blind operates to your satisfaction. Please take a moment to review the following installation guide for proper installation.

#### Recommended Tools

- Measuring Tape
- Pencil
- Level
- Screwdriver
- Powerdrill (1/4" hex driver and drillbit)

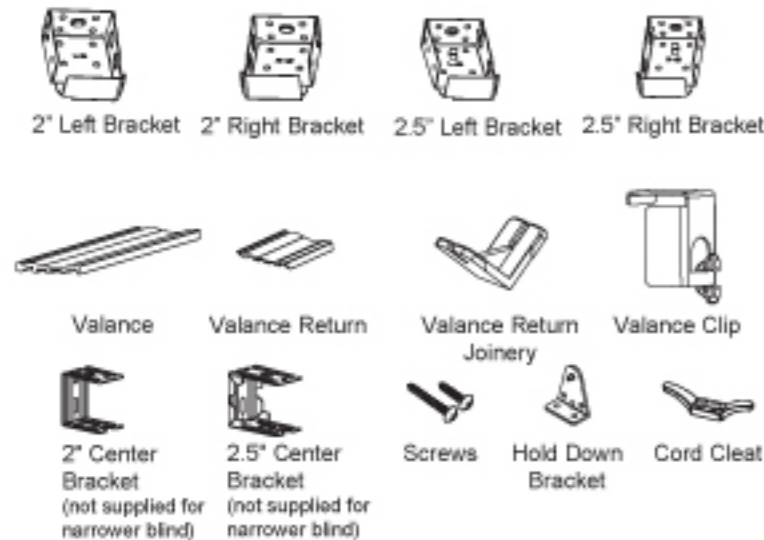


You will need to use the following fasteners for your particular mounting surfaces:

Mounting Surface	Fastener
Wood	1 1/4" Rounded Head Screw (Provided) 
Drywall/Plaster	Wall Anchors, Expansion Bolts (Not Provided) 
Metal	Sheet Metal Screws (Not Provided) 

### Check Hardware

Check your package for contents needed for proper installation.

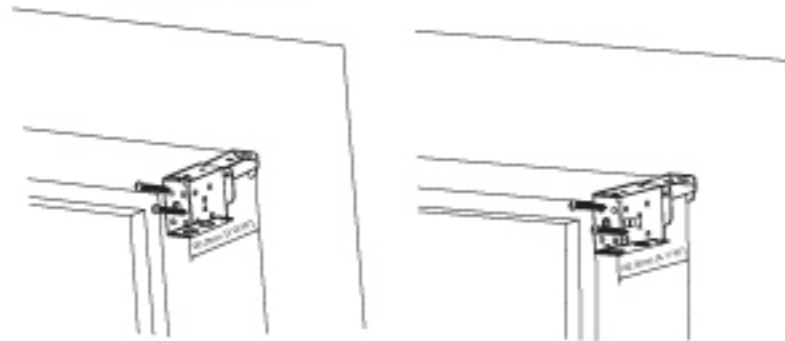


### Step 1. Install Brackets

For easy installation and proper blind operation, use a level to ensure all brackets are in alignment. If your blind comes with center support(s), make sure they are offset from the ladder cords.

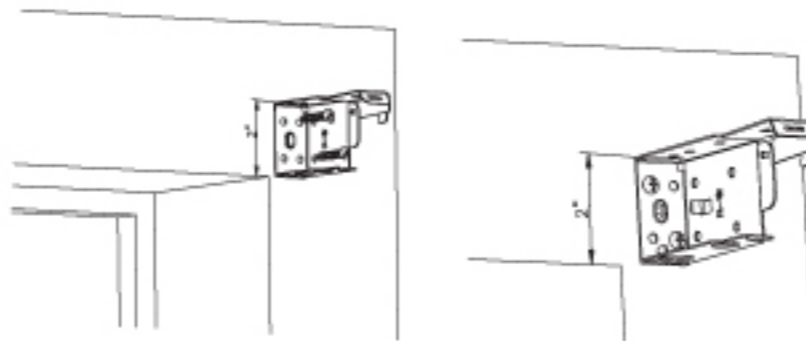
#### Inside Mount

- Attach the installation bracket parallel to the window casement on both sides.
  - For fully inside mount (valance flush with window opening) of a 2" blind, the distance between the backside of the bracket and the wall need to be at least 3 9/16" (90.2mm).
  - For fully inside mount of a 2 1/2" blind, the distance between backside of the bracket and the wall needs to be at least 4 1/8" (102.8mm)

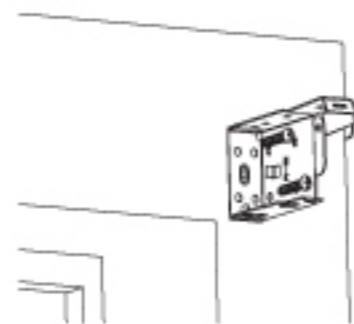
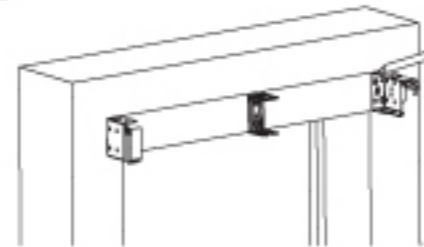


#### Outside Mount

- It is suggested to place the installation bracket 2" (51mm) above the window opening for proper bracket installation.



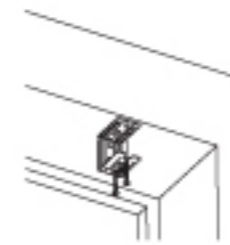
- Place the installation brackets at the desired position. Make sure the overlap to the window opening on both sides are even. To attach, drill 2 screws through the back of each installation bracket. **Recommended:** Use a level to double check the brackets are at the same level.



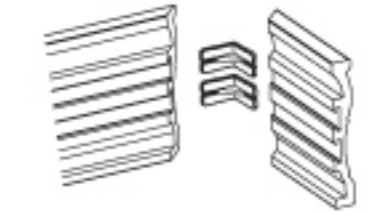
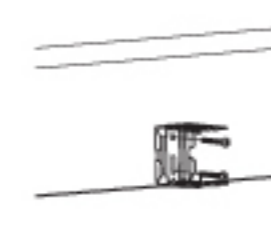
### Install the center support bracket (if supplied)

- Evenly space the support bracket(s) between the two installation brackets and place the support bracket slightly off from the ladder cords. Make sure the top of the support bracket(s) align with the top of the installation brackets.

#### Inside Mount



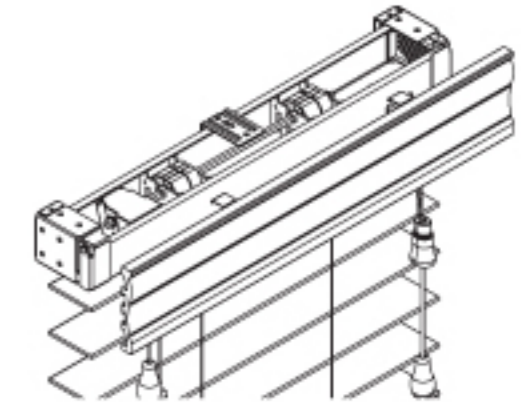
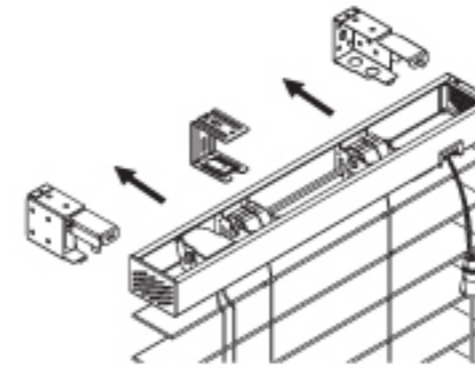
#### Outside Mount



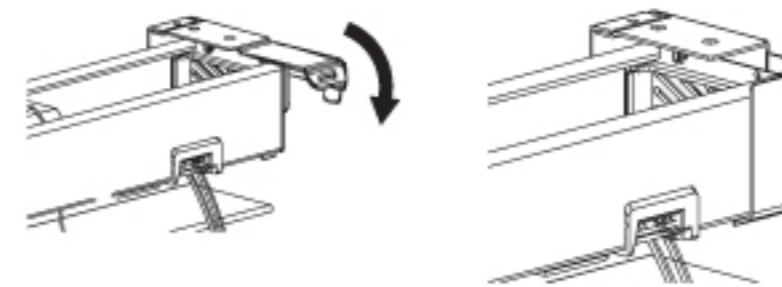
- Attach the valance return joinery

### Step 2. Install the Headrail

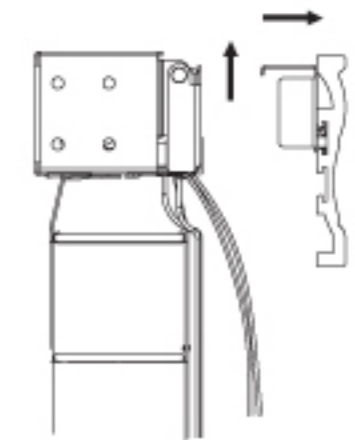
- Open the hinged door of the installation brackets and insert the headrail into the end brackets (and support brackets if supplied).



- Close the hinged door of the installation brackets.

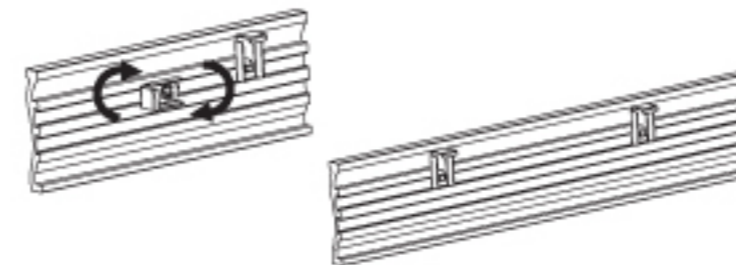


When removing the valance from headrail, hold the valance as shown in the picture and lift it up.



### Step 3. Attach the Valance

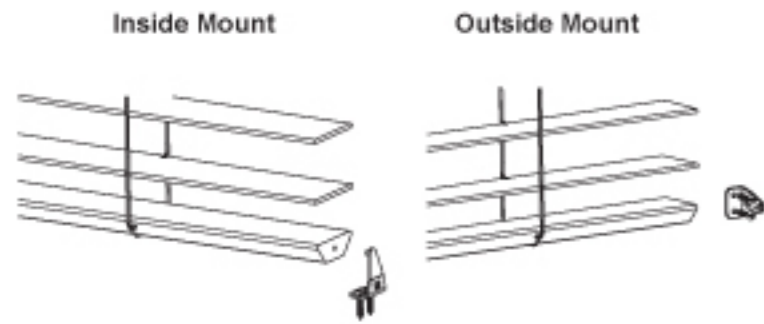
- Attach the steel valance clip into the top channel on the backside of the valance.



## Step 4. Additional Attachments

### Hold down brackets

- Attach the hold-down brackets against a flat surface, horizontally or vertically, parallel to the bottom rail. Make sure the protruding area is aligned with the hole on the side of the bottom rail. Secure the hold-down bracket into the bottom rail on both sides to keep blinds in desired location.



### Cord Cleat

- Install the cord cleat on the wall next to the pull cords, out of children's reach. Secure the screw into each of the two holes. Wrap the pull cords around the cord cleat for child safety.



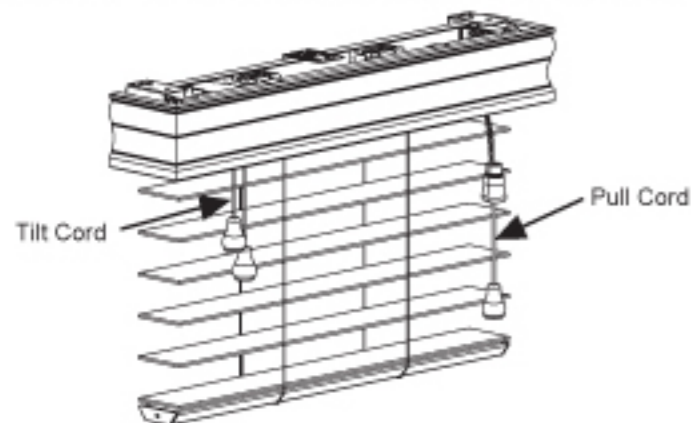
## Step 5. Operate Your Blind

### Tilt Cord

- Each cord with individual tassel, when pulled, will tilt the slats in alternate directions.

### Pull Cord

- Pull the cord to raise and lower the blind. The slats need to be open when lowering the blind. **When raising the blind, we recommend that you gently tilt the slats toward you before raising the blind.** The proper way to raise the blind is to support bottom rail with your hand while pulling on the cords. Pull the cord toward the outside of the blind to lock the position. Pull toward the center to release the blind from the locked position. **There are 2 easy ways for you to line up the SmartPrivacy™ slats.**  
1. Fully raise the blind and tap on both ends until slats are lined up.  
OR  
2. Raise and lower the blind several times and the blind will self-align.



## HOW TO SHORTEN YOUR BLIND

### Step 1

Lower the blind and rotate the slats to open position (no angle).

### Step 2

Remove the bottom rail button.

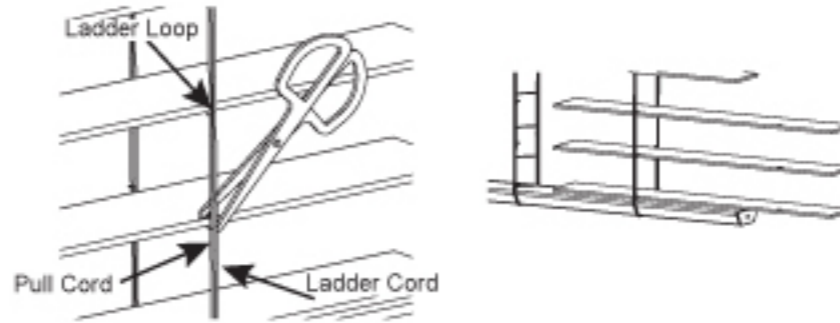


### Step 3

According to the length you want to shorten, decide how many slats need to be removed.

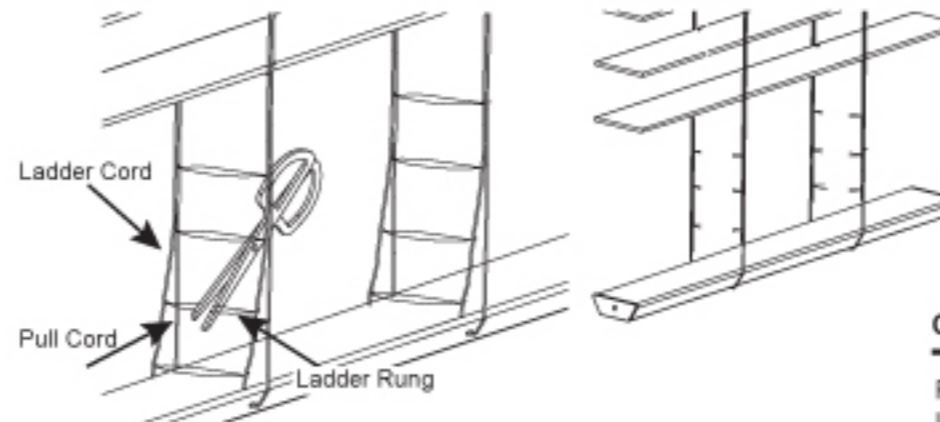
### Step 4

Before removing the slats, cut through the little Ladder Loop affixed to the slat you would like to remove. **Please Note: DO NOT CUT THE PULL CORD**



### Step 5

Cut off the excess ladders from two ladder rungs below the very last slat. Next, cut off the ladder rungs of the remaining ladders.



### Step 6

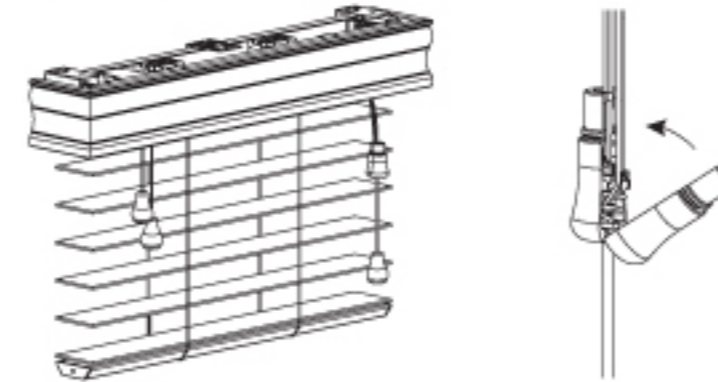
Tuck the ends of the excess ladder into the button holes of the bottom rail. Next, insert the buttons back into the bottom rail, securing the ladder cord in place.



## HOW TO SHORTEN YOUR BLIND (cont.)

### Step 7

Fully lift the blind, and then fully lower it. Open the cord release device and cut the excess lift cords to proper length. **NOTE:** Always ensure the cord release device is within 3" (76mm) from headrail when blind is fully lowered. Retie knots of the lift cords and put them into the slot of the cord release device, then snap the opposing side into place.



### CHILD SAFETY

#### Cord Release Device

This device breaks apart when minimal pressure is exerted onto the cords. It also acts as a stopper to prevent the inner cords from being pulled into a loop, which can cause harm to young children. To assemble, slide the knot of each pull cord into the slot of the cord release device, then snap the opposing side into place.



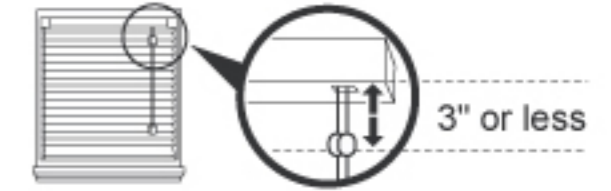
### WARNING

Young children can be entangled and strangled in cords. Keep all cords out of children's reach. Cord cleat is provided and should be used.

#### Cleaning Instructions

Perform periodic simple cleaning of your blind will keep your blind looking its best for the years to come. There are two ways to clean. You can dust it with a duster or dusting mitten, or simply use a soft cloth slightly moisten with lukewarm water to wipe down the slats. You can clean it with the blind hanging on the window, or you can take it down completely. By tilting the slats down but not fully closed, you will be able to clean most of the top surface of each slat. **Do not use detergent or abrasive cleaning solutions to clean the blind since it will likely cause damage to the blind.**

# WARNING



Inner cords can pull out to form a loop, which can **STRANGLE** a young child.

- Inner cord stop devices can reduce this risk if positioned correctly on the pull cords.
- If inner cord stop devices are more than 3 inches (76mm) below headrail when the blind is fully lowered, move them closer by following the inner cord stop device adjustment instructions.

ANSI/WCMA 5.3.1.1