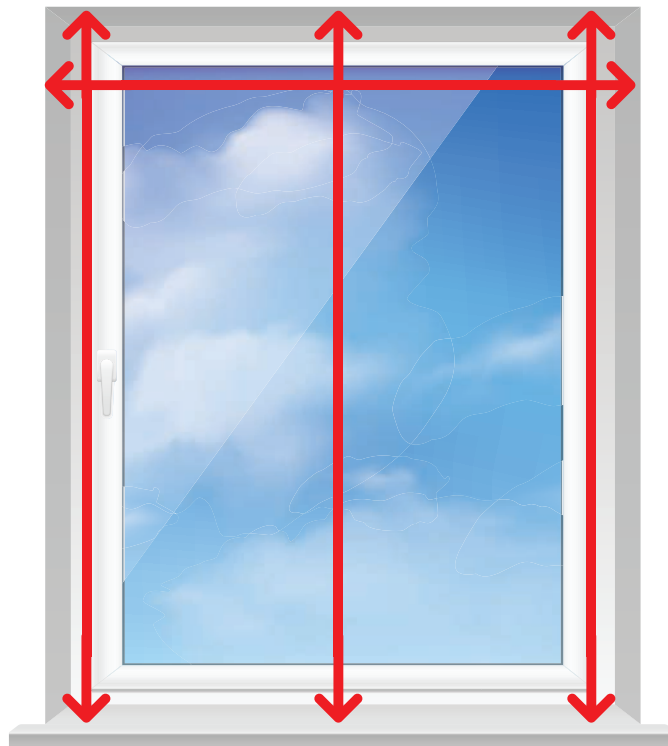


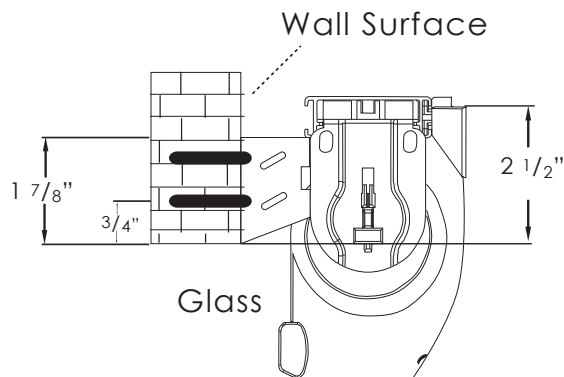
HOW TO MEASURE FOR INSIDE MOUNT SHEER SHADES

1. Measure the depth of your window frame, from the front of the opening to the glass. You'll need this measurement to ensure your window recess meets the minimum depth requirement for an inside mount.
2. Measure the width of each window. Measure your width only at the top of the window for roller shades.
3. Measure the height of your window opening in three places: left, center, and right. Circle the tallest measurement - this is the number you submit for your window's height.
4. Order at the exact opening size with no deductions. The factory will take deductions in production.



HOW TO MEASURE FOR OUTSIDE MOUNT SHEER SHADES

1. Check the mounting requirements to ensure you have enough flat surface for the mounting hardware. You will need at least 2 ½" above the window opening to mount the hardware.



2. Determine the width of the shades you want to order. The fabric will be narrower than the ordered width so determine how wide you would like the fabric to be and then add 3 inches to determine the width.



3. If your window has no trim, we recommend adding two to three inches on each side of your window to provide light gap coverage and privacy. Mark these additions on each side and measure the width between them in a straight line.
4. Determine the height of the shades you will order. If you have a protruding window sill, start at the sill and measure three inches beyond the top of the window opening to accommodate for mounting hardware.
5. If you do not have a protruding window sill, we recommend starting your measurement two inches below the sill for maximum coverage and then measure three inches beyond the top of the window opening to accommodate for mounting hardware.
6. Double check that your measurements follow the width by height format (W x H). Remember, with outside mount, your product will be made to the exact specified size.