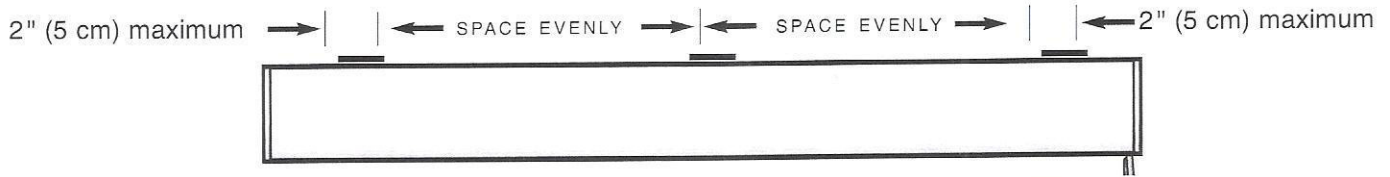
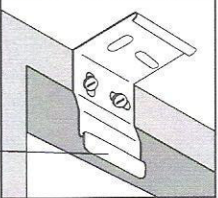
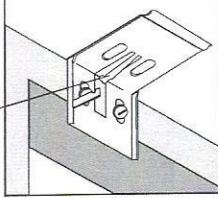
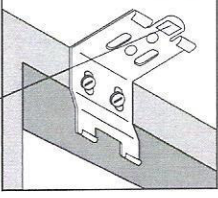
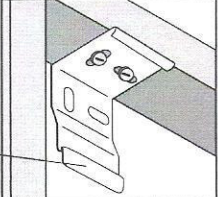
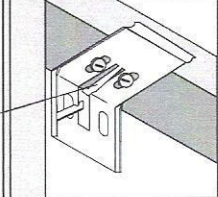
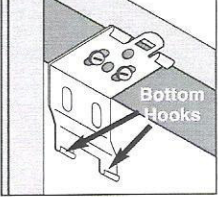
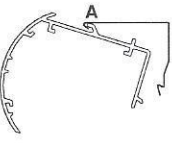
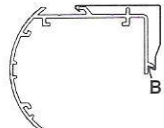
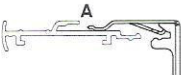

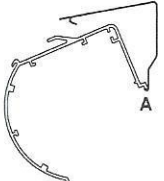
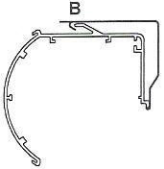


# Cassette Installation

1. **Mount the brackets** to the wall or window frame, with the outside brackets no further than 2 inches (50mm) from the ends of the headrail. On wide shades, space the additional bracket(s) at equal intervals.



Cassette 80	Raceway	Cassette 120
<p>For <b>wall or outside mounts</b>, use the rear bracket holes.</p> <p>Make sure the release tab is always mounted on the bottom.</p> 	<p>For <b>wall or outside mounts</b>, use the rear bracket holes.</p> <p>Make sure the release tab is always mounted on the top.</p> 	<p>For <b>wall or outside mounts</b>, use the rear bracket holes.</p> <p>Make sure the release tab is always mounted on the top.</p> 
<p>For <b>inside or ceiling mounts</b>, use the top bracket holes.</p> <p>Make sure the release tab is always mounted on the bottom.</p> 	<p>For <b>inside or ceiling mounts</b>, use the top bracket holes.</p> <p>Make sure the release tab is always mounted on the top.</p> 	<p>For <b>inside or ceiling mounts</b>, use the top bracket holes.</p> <p>Make sure the release tab is always mounted on the top.</p> 
<p><b>Mount the headrail.</b> Position the headrail with the front panel (A) resting on the top lip of all brackets. Push the bottom front of the headrail firmly backwards and toward the window until the lip on the rear of the headrail engages the bracket and snaps into place, (B) as shown.</p>  	<p><b>Mount the headrail.</b> Position the headrail so that the furthest lip of the bracket slides underneath the the groove on the headrail at (A). Push the front of the headrail firmly backwards and toward the window until the lip on the rear of the headrail engages the bracket and snaps into place, (B) as shown.</p>  	<p><b>Mount the headrail.</b> Position the headrail with the back panel (A) resting on both bottom hooks of all brackets. Push the front of the headrail firmly upwards and toward the window until the groove at the top of the headrail snaps into place, (B) as shown.</p>  

2. **Operate the shade** by pulling down on one side of the cord — one side of the cord raises the shade, the other side lowers the shade. Do not lift the bottom rail with your hands. Also, be careful not to place objects on the window sill that will interfere with operating the shade or cause it to hang unevenly
3. **To remove a shade; Cassette 80:** from the bottom rear of the headrail insert a flathead screwdriver in between the headrail and release tab. Gently twist the screwdriver and pry open the bracket to release the headrail. **Raceway:** Insert the screwdriver behind the headrail and engage the release tab.. press it upward to release the headrail. **Cassette 120:** from the top front of the headrail insert a flathead screwdriver in between the headrail and release tab. Gently twist the screwdriver and pry open the bracket to release the headrail. As you release the brackets, support the headrail to keep it from falling.