

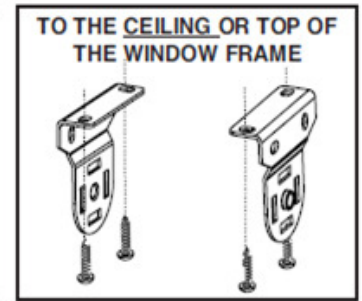
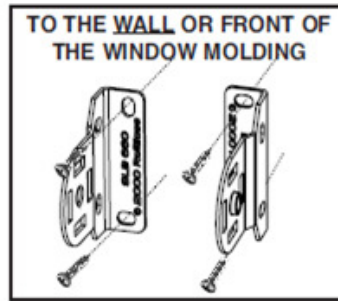
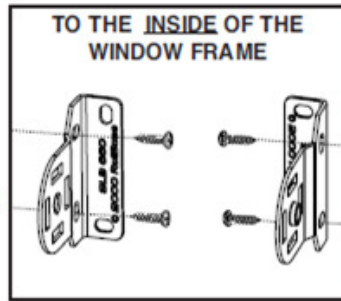
Installation

1. MOUNT THE BRACKETS.

Attach the brackets to the window frame, window molding, wall or ceiling, as shown.

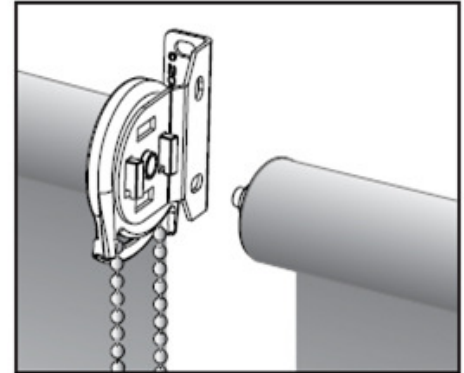
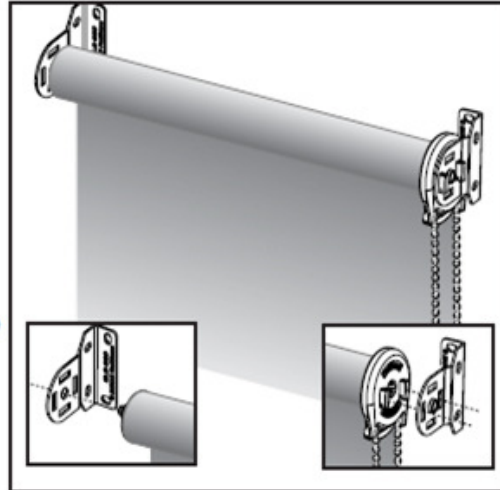
Brackets are universal so clutch may be mounted on either side.

Note: If sharing a standard bracket between two shades, bracket can only be shared by a clutch and a pin end, not clutch-to-clutch or pin end-to-pin end. If sharing an intermediate bracket it can only be shared by two pin ends



2. INSTALL THE SHADE

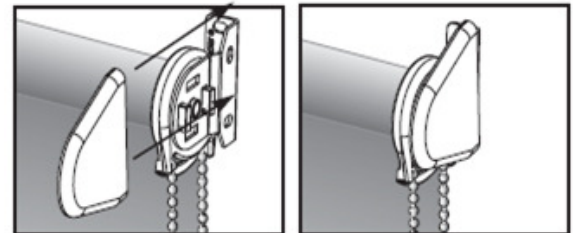
- Put the spring loaded pin end into the round hole of the bracket.
- Keeping the pin end secured in its bracket, insert the hooks on the clutch straight into the two slots in the bracket. Once the two hooks are through the slots, gently pull down on the clutch until the two hooks have locked securely to the bracket. The bottom of the clutch should point straight down.



Note: If sharing a bracket between two shades, bracket can only be shared by a clutch and a pin end, not a clutch-to-clutch or pin end to pin end.

3. INSTALL THE BRACKET COVERS

Bracket covers slide over the bracket until snapped into position.



4. INSTALL THE TENSION DEVICE

See details page SL22



5. USE THE CONTROL CORD OR BEAD CHAIN TO OPERATE THE SHADE.

Pulling gently on the cord in one direction raises the shade; pulling it in the other direction lowers it.

6. ATTACH STOPS TO A CONTROL CORD THAT'S MADE OF BEAD CHAIN.

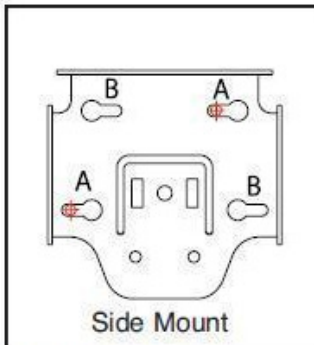
On metal bead chain, attach a metal stop ball that is at least 5/16" (8mm) in diameter, so that it touches the clutch when the shade is in the fully raised position.

For metal or plastic bead chain, lower the shade to its fully lowered position, and attach the appropriate metal stop or plastic connector next so that it touches the clutch, this prevents the shade from being lowered beyond that point.

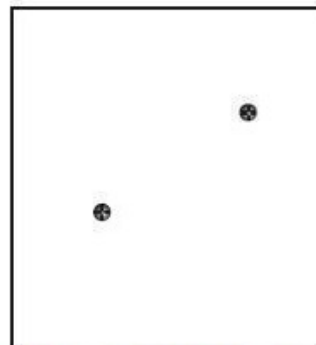
Installation

Installing Skyline™ 4 inch Fascia Brackets

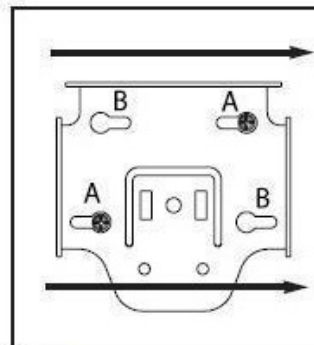
Skyline 4 inch brackets include slotted mounting holes, allowing, pre-marking and attaching of the mounting screws without the bracket needing to be in place. Brackets may be installed as usual without taking advantage of the slotted holes and pre-marking as well.



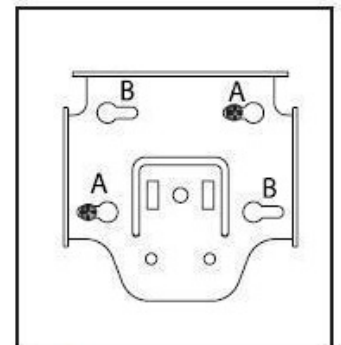
1.) Hold the mounting bracket in position in the window and mark the location where the screws should be positioned in either both A & A locations or B & B locations.



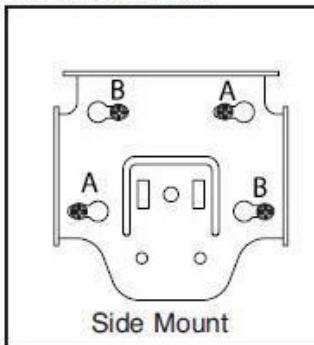
2.) Partially screw in both screws where marked with appropriate anchoring system.



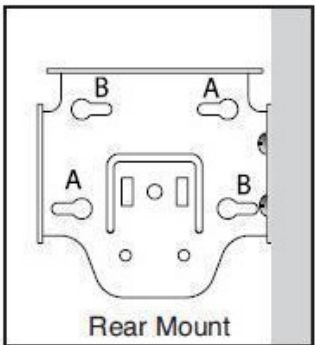
3.) Slip the mounting bracket over the two screws and slide the bracket sideways until the screws heads capture the bracket.



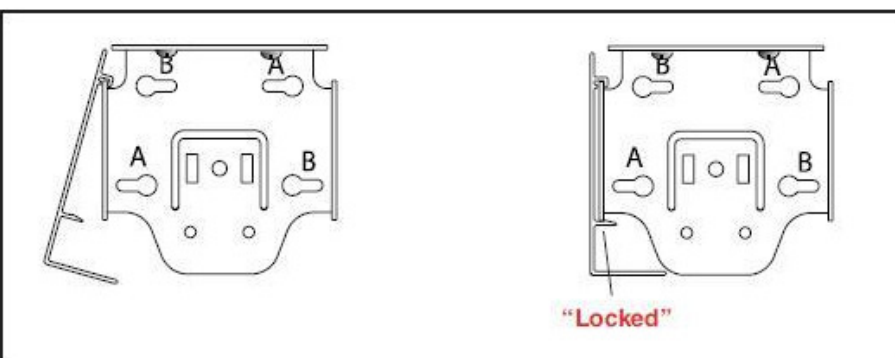
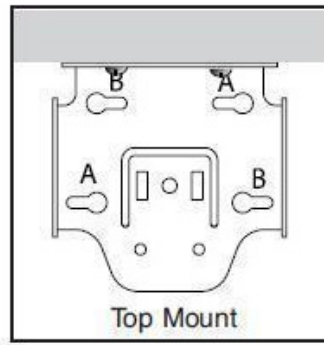
4.) Fully tighten these screws.



5.) Install additional screws in the additional two holes if required.



6.) The bracket contains other slotted mounting holes for rear or top mounted shades.



Attaching 4 inch Fascia

- 1.) Fascia may be cut to the exact desired width, no deductions are required to accommodate brackets, etc..
- 2.) Hook the fascia on the top of bracket first and rotate downward and press until the hooked feature on the fascia engages and is locked to the bracket.