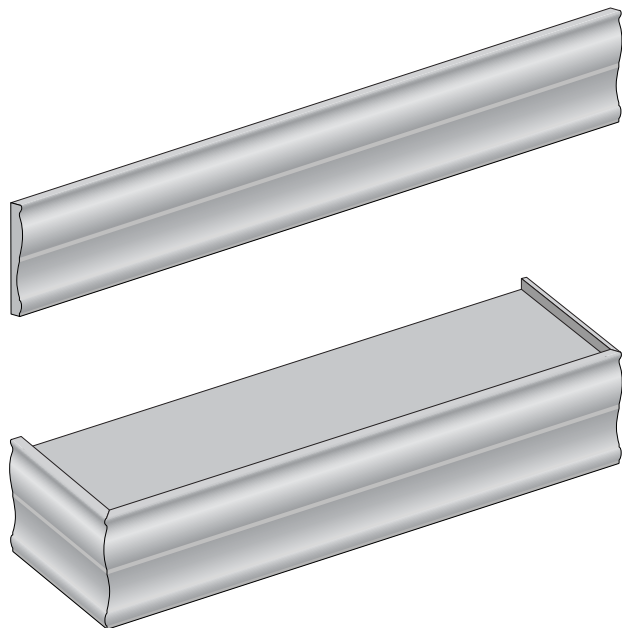


# Installation and Care Instructions



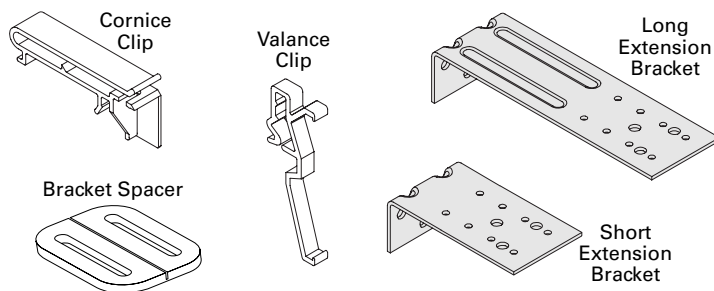
## Wood Valances and Cornices

**HunterDouglas**




**THANK YOU** for purchasing your new Hunter Douglas wood valance or cornice. After proper installation, the valance or cornice will provide you with a lifetime of beauty.

## Getting Started

- Remove the valance or cornice from the package. Keep the packaging until the valance or cornice is installed satisfactorily.
- Review the installation procedures and the diagram below to make sure you have the necessary parts.
- Not all of the items illustrated will be included in your hardware package. The contents will vary depending upon the mounting option chosen.

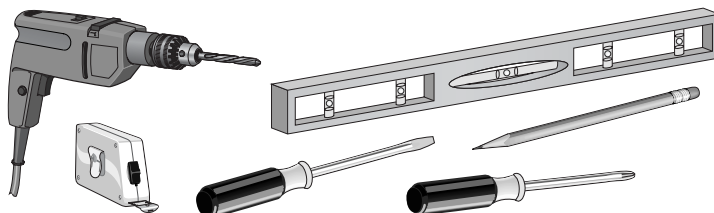


In addition to the provided hardware, you may need fasteners designed to work with your specific mounting surfaces:

Mounting Surface	Fastener
Drywall, Plaster	Wall Anchors, Expansion Bolts 
Metal	Sheet Metal Screws 
Wood	Hex Head Screws 

## Tools needed for installation:

- Measuring Tape
- Carpenter's Level
- Pencil
- Flat Blade and/or Phillips Screwdriver
- Power Drill and Bits



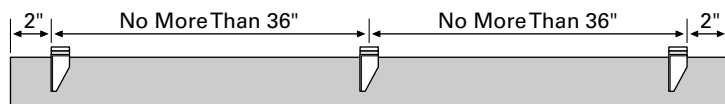
Four installation procedures (1–4) are explained in these instructions. Follow the specific procedure for the mounting option specified on the order.

# 1 Outside Mount with Returns and Dust Cover

## Attach Cornice Clips

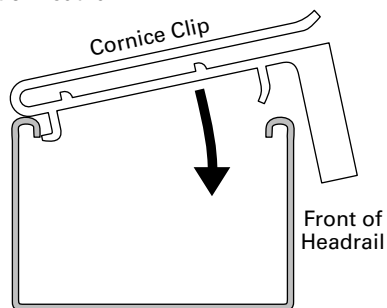
Perform this step *before* installing the blind.

- Attach a cornice clip 2" from each end of the headrail.
- Space additional clip(s) evenly between the two end clips so that the cornice clips are no more than 36" apart.



Front of Headrail

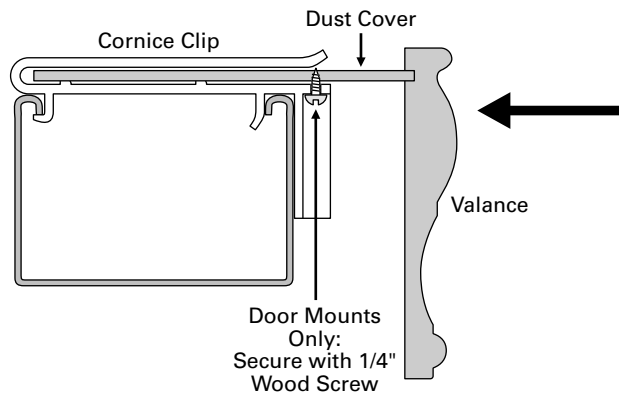
- To attach the cornice clips, hook the back of the clip to the rear lip of the headrail.
- Push the clip down until it snaps securely in place.



## Mount the Cornice

Perform this step *after* installing the blind.

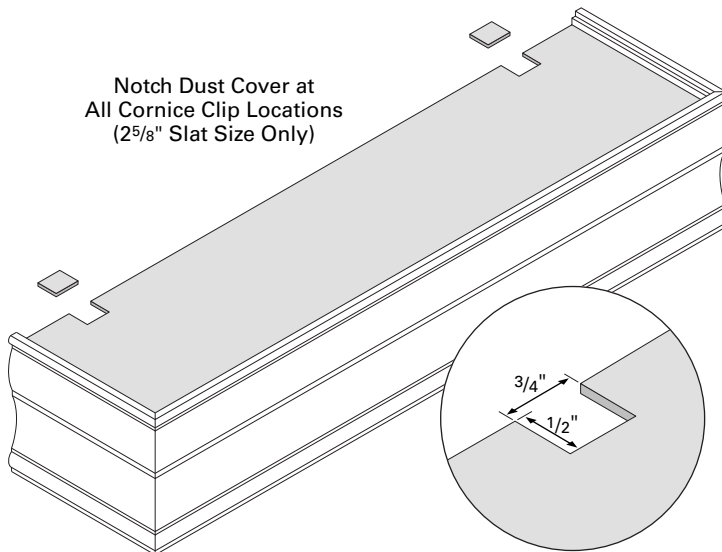
- Slide the cornice dust cover onto the clips, as shown below.
- If the blind is mounted to a door, secure the dust cover with a 1/4" wood screw through the slot in the cornice clip.



## Notch the Dust Cover — 2<sup>5</sup>/<sub>8</sub>" Slat Size Only

When spacer blocks are used to provide clearance for 2<sup>5</sup>/<sub>8</sub>" slats, the cornice dust cover must be notched to allow the cornice returns to be flush against the wall. Before mounting the headrail:

- Center the cornice in front of the headrail. Mark the location of the cornice clips on the dust cover.
- Use a utility knife to notch the rear of the dust cover where the dust cover will fit onto the cornice clips.
- The notch should be 1/2" and 3/4" wide, as shown in the illustration below.



Notch Dust Cover at All Cornice Clip Locations (2<sup>5</sup>/<sub>8</sub>" Slat Size Only)

## 2 Inside/Outside Mount with Returns and Dust Cover

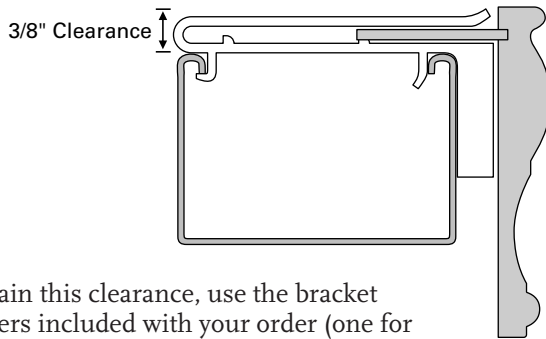
An inside/outside mount is the combination of an inside mounted blind with an outside mounted cornice. Typically with an inside/outside mount, the blind is not fully recessed but rather protrudes from the window opening.

### Attach Cornice Clips

Follow the attachment procedure described in the previous section, "Outside Mount with Returns."

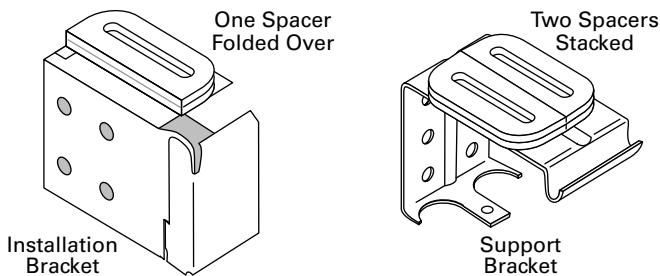
### Clearance Requirements

To accommodate the height of the cornice clips, additional clearance must be gained between the top of the mounting brackets and the casement, as shown below.



To gain this clearance, use the bracket spacers included with your order (one for each installation bracket and two for each support bracket).

- With each installation bracket, first fold the spacer and then position it on top of the bracket to gain the required clearance.
- With each support bracket, stack two unfolded spacers.



### Mount the Cornice

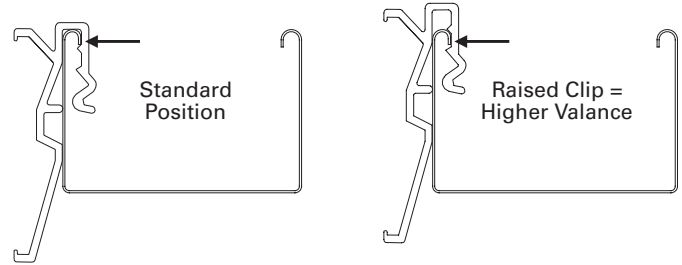
Follow the cornice mounting procedure described in the previous section, "Outside Mount with Returns."

## 3 Valance with No Dust Cover

### Attach Valance Clips

Perform this step *before* installing the blind.

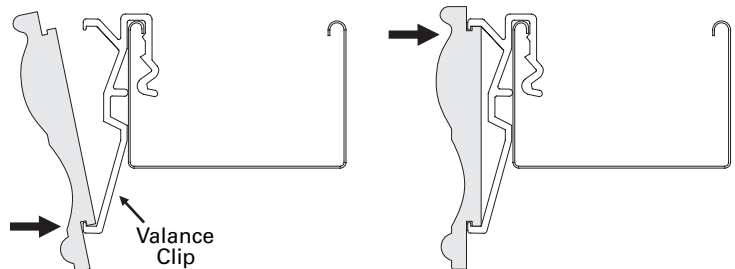
- Space additional clip(s) evenly between the two end clips so that the valance clips are no more than 36" apart.
- If desired, the valance may be positioned 1/4" higher by pushing the clips only one notch down. Standard and raised valance clip positions are illustrated below.



### Mount the Valance

Perform this step *after* installing the blind.

- Tilt the valance to insert its bottom notch into the bottom part of the valance clip.
- Pulling the valance slightly downward, insert the top notch of the valance into the clip, as shown below.



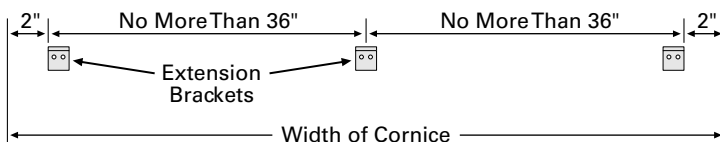
## 4 Stand-Alone Cornice Outside Mount with Returns

These instructions are for outside mounting the cornice over another Hunter Douglas product.

### Mount Extension Brackets

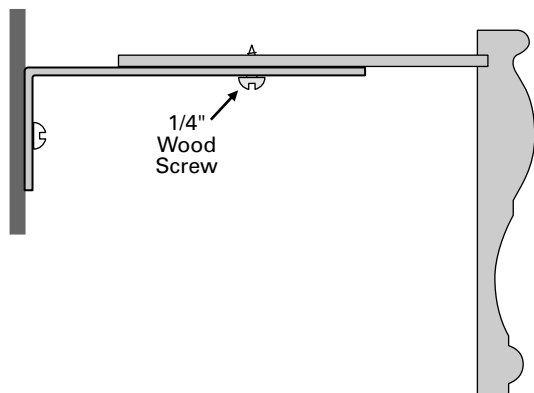
Depending upon the length of the returns, long or short extension brackets may be used.

- Using appropriate fasteners, mount an extension bracket 2" from where each end of the cornice will be located.
- Space additional extension bracket(s) evenly between the two end brackets so that the extension brackets are no more than 36" apart.



### Mount the Cornice

- Use 1/4" wood screws to attach the cornice dust cover to the extension brackets.



## 5 Care and Cleaning

- Dust with a soft clean cloth or chemically treated dust cloth.
- Vacuum using the brush dust head attachment.
- Wash using a damp cloth and mild detergent solution. Use warm or cold water, not hot water.
- Scratches on leather cornices may be mended using a color-matched paste shoe polish.

**For assistance, call the Hunter Douglas  
Customer Information Center  
at 1-888-501-8364**

**7:00 AM to 4:30 PM MST, Mon.-Fri.**

**Visit our Web site at [hunterdouglas.com](http://hunterdouglas.com)**



# HunterDouglas

[hunterdouglas.com](http://hunterdouglas.com)

© 2005 Hunter Douglas Inc.

Patented in the U.S. and foreign countries. Other U.S. and foreign patents pending.



Product Code No. 8800016004

9/05